

Homeowners Guide

Cleansing Seat

Français, page "Français-1"
Español, página "Español-1"

THE BOLD LOOK
OF **KOHLER**®

1321456-5-A

IMPORTANT SAFEGUARDS

READ ALL INSTRUCTIONS BEFORE USING

When using electrical products, especially when children are present, basic safety precautions should always be followed, including the following:

IMPORTANT! Risk of product damage. Do not install this product in a location exposed to excessive moisture where condensation might form on the product surface. Provide adequate ventilation when bathing to avoid damage to the electronic components due to high humidity levels.

IMPORTANT! Risk of product or property damage. Pushing or pulling on the water connection may cause water leakage.

IMPORTANT! Risk of product damage. Do not apply excessive force to the spray wands.

IMPORTANT! Risk of product damage. In areas where water may freeze in the pipes, make arrangements to keep the pipes warm. Any water remaining in the seat may freeze during winter storage. Allow the unit to warm to room temperature before reinstalling or using.

IMPORTANT! Risk of product damage. Do not supply electrical power to the unit until the plumbing installation work has been completed, as it may cause the product to malfunction.

NOTE: The thermal protectors may trip during storage or transportation in warm weather causing the unit to not operate. Allow the unit to cool to room temperature before installation or operation.



DANGER: To reduce the risk of electrocution:

- Do not place or store this product where it can fall or be pulled into a bath or sink.
- Do not place in or drop into water or other liquid.
- Do not reach for a product that has fallen into water. Unplug immediately.

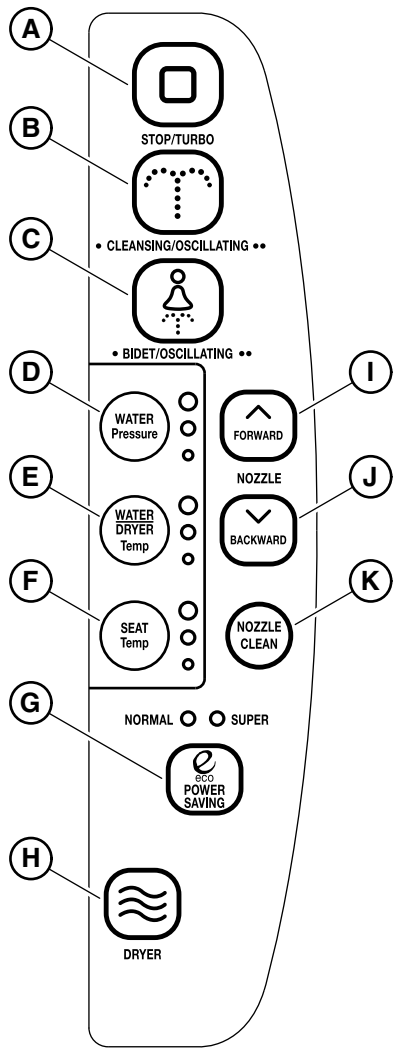
IMPORTANT SAFEGUARDS (cont.)



WARNING: To reduce the risk of burns, electrocution, fire, or injury to persons:

- Close supervision is necessary when this product is used by or near children, the elderly, or invalids. Adjust the temperature of the seat for the elderly, those who are incapacitated, or persons with sensitive skin.
- Use this product only for its intended use as described in this manual. Only use attachments recommended by Kohler Co.
- Never operate this product if it has a damaged cord or plug, if it is not working properly, if it has been dropped, damaged, or dropped into water. Return the product for examination and repair.
- Keep the cord away from heated surfaces.
- Never block the air openings of the product or place it on a soft surface, such as a bed or couch, where the air openings may be blocked. Keep the air openings free of lint, hair, and the like.
- Never use while sleeping or drowsy.
- Never drop or insert any object into any opening or hose.
- Do not use outdoors or where aerosol spray products are being used or where oxygen is administered.
- Connect this product to a properly grounded outlet only. See the "Grounding Instructions" section.
- This product conforms to applicable provisions of US 21 CFR, Chapter 1, Subchapter J, Radiological Health.

SAVE THESE INSTRUCTIONS



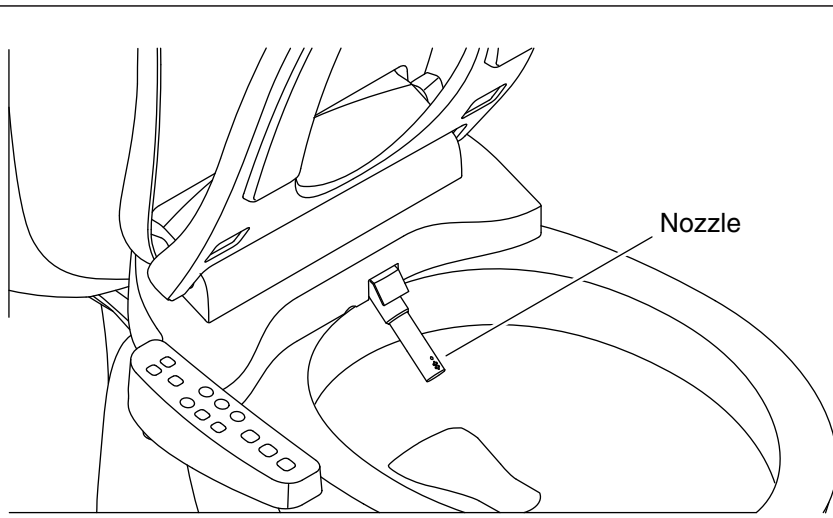
Operation

Operation (cont.)

- **A - Stop/Turbo:** Press the "STOP/TURBO" icon to stop any seat function that is currently running. You can also press the "STOP" icon with no functions in use to start a massaging warm water spray with the spray wand oscillating back and forth.
- **B - Cleansing/Oscillating:** Activates the rear wash feature. Press the "CLEANSING/OSCILLATING" icon a second time to activate the oscillation feature. Operation will stop automatically after about 90 seconds, and can be resumed by pressing the icon again.
- **C - Bidet/Oscillating:** Activates the front wash feature. Press the "BIDET/OSCILLATING" icon a second time to activate the oscillation feature. Operation will stop automatically after about 90 seconds, and can be resumed by pressing the icon again.
- **D - Water Pressure:** Press the "WATER PRESSURE" icon to change the pressure (force) of the water spray. The water pressure used during the previous visit is saved for the next user. Adjust the water pressure to one of four settings: Off, Low, Medium, High.
- **E - Water/Dryer Temp:** Press the "WATER/DRYER TEMP" icon to separately change the water spray and dryer temperatures. Press the "WATER/DRYER TEMP" icon to turn on, off, and adjust the water or dryer temperature while either feature is running. There are four temperature settings: Off, Low, Medium, and High.
- **F - Seat Temp:** Press the "SEAT TEMP" icon to turn on, off, and adjust the seat temperature. This feature has four temperature settings: Off, Low, Medium, and High. As a safety precaution, the seat temperature will automatically change from High to Medium after being operated at High for 10 minutes.
- **G - Power Saving:** Use either the normal or super power-saving settings if desired. Press the "POWER SAVING" icon once for normal power savings. Press the icon a second time to initiate super power savings. In normal power savings mode, the water temperature will be 77°F (25°C) and the seat temperature will be 82°F (28°C). In super power-saving mode, the water and seat temperatures will be deactivated when the seat is not in use.
- **H - Dryer:** Press the "DRYER" icon to activate the dryer feature. The dryer stops automatically after about 5 minutes.
- **I - Forward and J - Backward:** Use these icons to move the spray wand position forward or backward during use.

Operation (cont.)

- **K - Nozzle Clean:** Press the "NOZZLE CLEAN" icon to start the nozzle and spray wand cleaning cycle. During the "NOZZLE CLEAN" cycle, the nozzle will move back and forth three times, and stop in the fully extended position. You can then manually clean the nozzle and spray wand. See the "Clean the Spray Wand" section for detailed nozzle and spray wand cleaning instructions.
- **System Locks** - With the seat unoccupied, press and hold the "WATER/DRYER TEMP" icon for more than 3 seconds to lock the "WATER/DRYER TEMP" feature from further use. To unlock, press and hold the "WATER/DRYER TEMP" icon for more than 3 seconds again. With the seat unoccupied, press and hold the "SEAT TEMP" icon for more than 3 seconds to lock the "SEAT TEM" feature from further use. To unlock, press and hold the "SEAT TEM" icon for more than 3 seconds again.
- **Spray Wand Oscillation** - When either the "CLEANSING/OSCILLATING" or "BIDET/OSCILLATING" features are running, press either icon a second time to start back and forth spray wand oscillation. You can press either icon a third time to stop spray wand oscillation.
- **Forced "On/Off"** - If the seat and toilet sizes are not compatible, the seat sensor may not detect when the seat is occupied. You can override the sensor by pressing and holding the spray wand "FORWARD" icon for more than 3 seconds. You can then turn on and off the seat features without relying upon sensor activation.

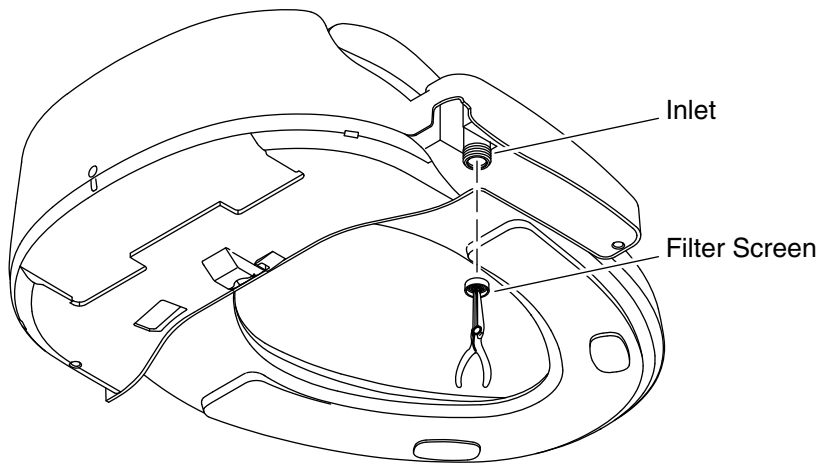


Clean the Spray Wand

NOTE: The spray wand can only be extended for cleaning when the seat is not activated or occupied.

Manual Cleaning

- Raise the lid and seat.
- Press the "NOZZLE CLEAN" icon. The spray wand will move back and forth three times and stop in the fully extended position.
- Use a soft and clean sponge, brush, or rag to carefully clean the spray wand.
- Press the "STOP" icon to retract the spray wand. The seat is now ready for its next use.
- Clean the spray wand with a soft-bristled brush and hot water.



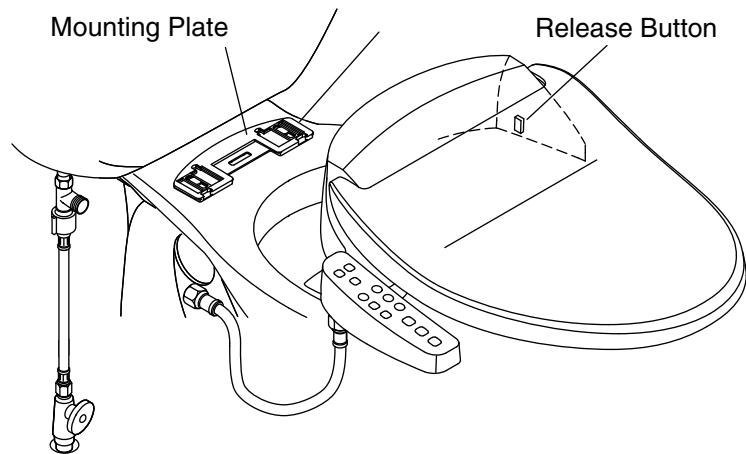
Cleaning the Screen

NOTE: Clean the filter screen every 6 months or when there is a reduction in the maximum water flow from the spray wand.

- Turn off the water at the supply stop.
- Flush the toilet to relieve water pressure.
- Disconnect the water supply hose from the seat connection.
- Using long-nosed pliers, carefully remove the filter screen from the inlet.
- Clean the filter screen with a soft-bristled brush.
- Reinstall the filter screen.

CAUTION: Risk of product damage. Do not cross-thread the hose connection to the inlet.

- Reconnect the water supply hose to the inlet, one-quarter turn past hand tight.
- Turn on the water supply.
- Check all connections for leaks, and make any adjustments as needed.



Remove the Seat

IMPORTANT! When removing the seat for cleaning, use care to avoid exerting any force on the hose connections.

- Press the release button.
- Slide the seat forward to access the area around the mounting plate. Avoid putting pressure on the hoses.
- Clean the area as needed.
- To reinstall, slide the seat back until it engages the mounting plate.

Troubleshooting

This troubleshooting guide is for general aid only. A Kohler Co. Authorized Service Representative or qualified electrician should correct any electrical problems.

For warranty service, contact the Customer Care Center using the numbers located on the back page of this manual.

Symptoms	Probable Causes	Recommended Action
1. Low or no water flow.	A. The water supply to the seat is not turned on.	A. Turn on the water supply to the seat.

Troubleshooting (cont.)		
Symptoms	Probable Causes	Recommended Action
	B. The filter screen is clogged.	B. Clean or replace the filter screen. See the "Clean the Filter Screen" section.
	C. The seat water pressure is set at Low.	C. Adjust the seat water pressure to Medium or High.
2. The seat features do not function.	A. The seat power cord is disconnected from the electrical outlet, or the fuse or circuit breaker has tripped.	A. Plug in the seat power cord, or replace/reset the fuse or circuit breaker.
	B. The seat sensor does not detect skin contact with a user.	B. Make sure that the seat user is making skin contact with the seat sensor.
3. Water, seat, or dryer temperature is too low.	A. The water, seat, or dryer temperature is set at Low.	A. Adjust the water, seat, or dryer temperature to Medium or High.
	B. The user shifted position and is no longer detected by the seat sensor.	B. Shift your position on the seat. The sensor is located on the front of the seat.
Product Compliance		
<p>This device complies with Part 15 of the FCC Rules and Industry Canada license-exempt RSS standard(s). Operation is subject to the following two conditions:</p> <ol style="list-style-type: none"> 1. This device may not cause harmful interference, and 2. This device must accept any interference received, including interference that may cause undesired operation. <p>Changes or modifications not expressly approved by the party responsible for compliance could void the user's authority to operate the equipment.</p> <p>This equipment has been tested and found to comply with the limits for a Class B digital device, pursuant to Part 15 of the FCC Rules.</p>		

Product Compliance (cont.)

These limits are designed to provide reasonable protection against harmful interference in a residential installation. This equipment generates, uses, and can radiate radio frequency energy and, if not installed and used in accordance with the instructions, may cause harmful interference to radio communications. However, there is no guarantee that interference will not occur in a particular installation. If this equipment does cause harmful interference to radio or television reception, which can be determined by turning the equipment off and on, the user is encouraged to try to correct the interference by one of the following measures:

- Reorient or relocate the receiving antenna.
- Increase the separation between the equipment and receiver.
- Connect the equipment into an outlet on a circuit different from that to which the receiver is connected.
- Consult the dealer or an experienced radio/TV technician for help.

Care and Cleaning

For best results, keep the following in mind when caring for your KOHLER product:

IMPORTANT! Do not immerse product in water.

- Always test your cleaning solution on an inconspicuous area before applying to the entire surface.
- Use a soft, dampened sponge or cloth to wipe surfaces clean. Remove the cleaner quickly after applying. Rinse and dry any overspray that lands on nearby surfaces.
- Do not allow cleaners to soak on surfaces.
- Never use an abrasive material such as a brush or scouring pad to clean surfaces.

For detailed cleaning information and products to consider, visit kohler.com/clean. To order Care & Cleaning information, call 1-800-456-4537.

Warranty

KOHLER Intelligent Toilet and C3 Cleansing Seat Three-Year Limited Warranty

Kohler Co. warrants that its toilets with integrated cleansing functionality ("Intelligent Toilets") and electric cleansing seats will be free of defects in material and workmanship during normal residential use for three years from the date the product is installed. This warranty applies only to intelligent toilets and electric cleansing seats installed in the United States of America, Canada and Mexico ("North America").

If a defect is found in normal residential use, Kohler Co. will, at its election, repair, provide a replacement part or product, or make appropriate adjustment where Kohler Co.'s inspection discloses any such defect. Damage caused by accident, misuse, or abuse is not covered by this warranty. Improper care and cleaning will void the warranty*. Proof of purchase (original sales receipt) must be provided to Kohler Co. with all warranty claims. Kohler Co. is not responsible for labor charges, installation, or other incidental or consequential costs other than those noted above. In no event shall the liability of Kohler Co. exceed the purchase price of the intelligent toilet or electric cleansing seat.

If the intelligent toilets or electric cleansing seats are used commercially or are installed outside of North America, Kohler Co. warrants that the intelligent toilet or electric cleansing seat will be free from defects in material and workmanship for one (1) year from the date the product is installed, with all other terms of this warranty applying except duration.

If you believe that you have a warranty claim, contact your Home Center, Dealer, Plumbing Contractor or E-tailer. Please be sure to provide all pertinent information regarding your claim, including a complete description of the problem, the product, model number, the date the product was purchased, from whom the product was purchased and the installation date. Also include your original invoice. For other information, or to obtain the name and address of the service and repair facility nearest you, write Kohler Co., Attn: Customer Care Center, Kohler, Wisconsin 53044 USA, or by calling 1-800-4-KOHLER (1-800-456-4537) from within the USA and Canada, and 001-800-456-4537 from within Mexico, or visit www.kohler.com within the USA, www.ca.kohler.com from within Canada, or www.mx.kohler.com in Mexico.

THE FOREGOING WARRANTIES ARE IN LIEU OF ALL OTHER WARRANTIES, EXPRESS OR IMPLIED, INCLUDING BUT NOT LIMITED TO THE IMPLIED WARRANTIES OF MERCHANTABILITY AND FITNESS FOR A PARTICULAR

Warranty (cont.)

PURPOSE. KOHLER CO. AND/OR SELLER DISCLAIM ANY LIABILITY FOR SPECIAL, INCIDENTAL OR CONSEQUENTIAL DAMAGES.

Some states/provinces do not allow limitations of how long an implied warranty lasts or the exclusion or limitation of such damages, so these limitations and exclusions may not apply to you. This warranty gives the consumer specific legal rights. You may also have other rights that vary from state/province to state/province. This warranty is to the original consumer purchaser only, and excludes product damage due to installation error, product abuse, or product misuse, whether performed by a contractor, service company, or the consumer.

This is Kohler Co.'s exclusive written warranty.

* Never use cleaners containing abrasive cleansers, ammonia, bleach, acids, waxes, alcohol, solvents or other products not recommended for stainless steel or polypropylene plastic. This will void the warranty.

MESURES DE SÉCURITÉ IMPORTANTES

LIRE TOUTES LES INSTRUCTIONS AVANT UTILISATION

Lors de l'utilisation de produits électriques, et en particulier en présence d'enfants, toujours observer les mesures de sécurité fondamentales, notamment:

IMPORTANT! Risque d'endommagement du produit. Ne pas installer ce produit dans un emplacement exposé à un excès d'humidité et où de la condensation pourrait se former sur la surface du produit. Fournir une ventilation adéquate lors des bains afin d'éviter d'endommager les composants électroniques en raison de niveaux d'humidité élevés.

IMPORTANT! Risque d'endommagement du produit ou de dommages matériels. Des fuites d'eau pourraient se produire si l'on pousse ou tire sur le raccord d'eau.

IMPORTANT! Risque d'endommagement du produit. Ne pas appliquer de force excessive sur les baguettes de vaporisation.

IMPORTANT! Risque d'endommagement du produit. Prendre les mesures nécessaires pour maintenir les tuyaux au chaud dans les régions où l'eau pourrait geler dans les tuyaux. Toute l'eau qui reste dans le siège pourrait geler pendant l'entreposage en hiver. Laisser le dispositif se réchauffer à la température ambiante avant de le réinstaller ou de l'utiliser.

IMPORTANT! Risque d'endommagement du produit. Ne pas fournir d'alimentation électrique au dispositif avant d'avoir effectué le travail d'installation de la plomberie, étant donné que cela pourrait créer des problèmes de fonctionnement.

REMARQUE: Les protecteurs thermiques pourraient se déclencher pendant l'entreposage ou le transport par temps chaud, et le

MESURES DE SÉCURITÉ IMPORTANTES (cont.)

dispositif ne fonctionnera pas. Laisser le dispositif se refroidir à la température ambiante avant de l'installer ou de l'utiliser.



DANGER: Pour réduire le risque d'électrocution:

- Ne pas placer ou entreposer ce produit dans un endroit où il pourrait tomber ou d'où il pourrait être tiré et tomber dans une baignoire ou un lavabo.
- Ne pas placer et ne pas laisser tomber ce dispositif dans de l'eau ou un autre liquide.
- Ne pas essayer de récupérer un produit qui est tombé dans de l'eau. Débrancher le dispositif immédiatement.



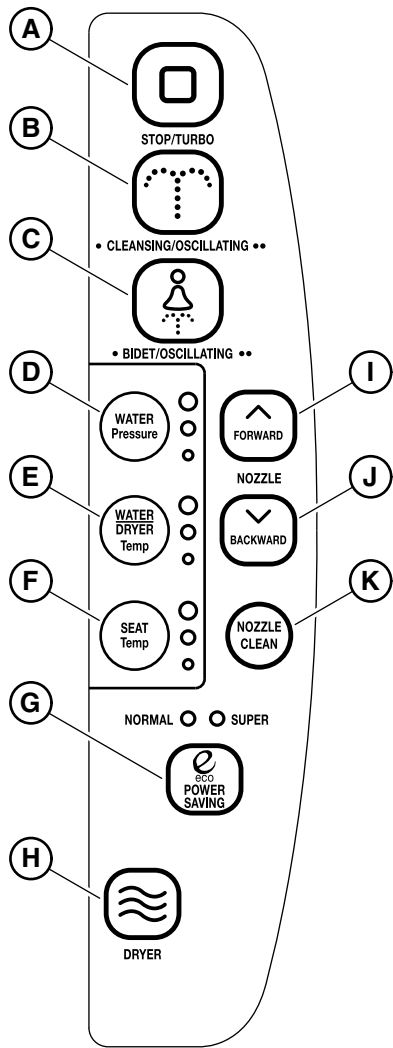
AVERTISSEMENT: Pour réduire le risque de brûlures, d'électrocution, d'incendie ou de blessures personnelles:

- Il est nécessaire de superviser de près lorsque ce produit est utilisé par des enfants, des personnes âgées ou invalides, ou lorsqu'il se trouve dans leur proximité. Ajuster la température du siège pour les personnes âgées, les personnes frappées d'incapacité, ou les personnes dont la peau est sensible.
- Utiliser ce produit uniquement pour l'usage auquel il est destiné, tel que décrit dans ce manuel. Uniquement utiliser des accessoires recommandés par Kohler Co.
- Ne jamais faire fonctionner ce produit si son cordon ou sa prise sont endommagés, s'il ne fonctionne pas correctement, s'il est tombé, s'il est endommagé, ou s'il est tombé dans de l'eau. Retourner le produit pour le faire examiner et réparer.
- Tenir le cordon à distance de surfaces chauffées.
- Ne jamais bloquer les ouvertures d'air du produit et ne jamais le placer sur une surface molle, comme un lit ou un divan, à un emplacement où les ouvertures d'air pourraient être bloquées. S'assurer de l'absence de peluches, de cheveux ou d'autres éléments similaires sur les ouvertures d'air.
- Ne jamais utiliser ce dispositif lorsque l'on dort ou si l'on se sent somnolent.
- Ne jamais faire tomber ou insérer un objet quelconque dans une ouverture ou un tuyau.
- Ne pas utiliser ce dispositif à l'extérieur et ne pas le faire fonctionner en présence de produits aérosols ou si l'on administre de l'oxygène.

MESURES DE SÉCURITÉ IMPORTANTES (cont.)

- Connecter ce produit à une prise mise à la terre de manière adéquate uniquement. Voir la section "Instructions de mise à la terre".
- Ce produit est conforme aux conditions applicables de l'US 21 CFR, Chapitre 1, Sous-chapitre J, Hygiène radiologique.

CONSERVER CES INSTRUCTIONS



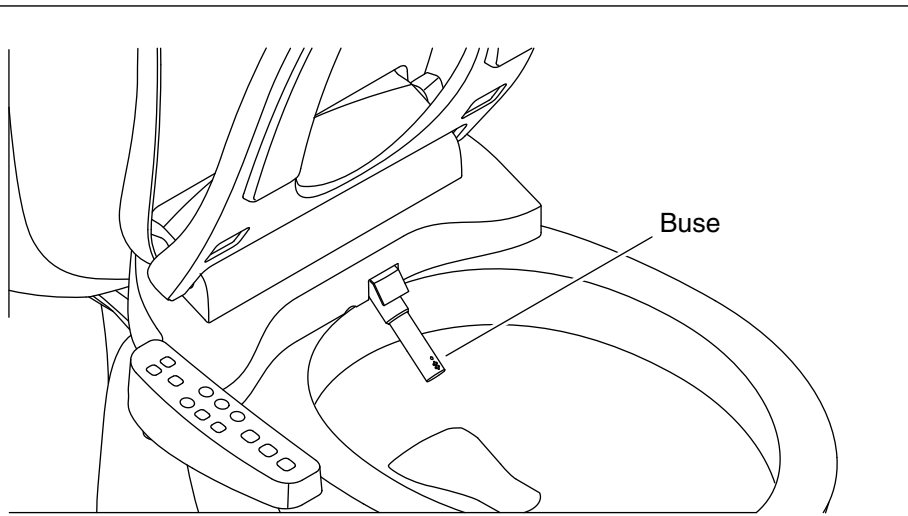
Fonctionnement

Fonctionnement (cont.)

- **A - Arrêt/Turbo:** Appuyer sur l'icône "ARRÊT/TURBO" pour arrêter n'importe quelle fonction de siège en cours d'exécution. Il est également possible d'appuyer sur l'icône "ARRÊT" alors qu'aucune fonction n'est en cours d'utilisation pour démarrer un vaporisateur d'eau chaude à massage avec la baguette de vaporisation qui oscille dans un mouvement de va-et-vient.
- **B - Nettoyage/Oscillation:** Active la fonction de lavage arrière. Appuyer sur l'icône "NETTOYAGE/OSCILLATION" une deuxième fois pour activer la fonction d'oscillation. Le fonctionnement s'arrêtera automatiquement au bout de 90 secondes et peut être redémarré en réappuyant sur l'icône.
- **C - Bidet/Oscillation:** Active la fonction de lavage avant. Appuyer sur l'icône "BIDET/OSCILLATION" une deuxième fois pour activer la fonction d'oscillation. Le fonctionnement s'arrêtera automatiquement au bout de 90 secondes et peut être redémarré en réappuyant sur l'icône.
- **D - Pression d'eau:** Appuyer sur l'icône "PRESSION D'EAU" pour changer la pression (force) du vaporisateur d'eau. La pression d'eau utilisée au cours de la visite précédente est sauvegardée pour l'utilisateur suivant. Ajuster la pression de l'eau à l'un des quatre réglages: Désactivée, Basse, Moyenne, Haute
- **E - Temp eau/séchoir:** Appuyer sur l'icône "TEMP EAU/SÉCHOIR" pour changer séparément les températures du vaporisateur d'eau et du séchoir. Appuyer sur l'icône "TEMP EAU/SÉCHOIR" pour démarrer, arrêter et ajuster la température de l'eau ou du séchoir pendant qu'une des fonctions est en marche. Quatre réglages de température sont possibles: Désactivée, Basse, Moyenne, et Haute.
- **F - Temp siège:** Appuyer sur l'icône "TEMP SIÈGE" pour activer, désactiver et ajuster la température du siège. Cette fonction comprend quatre réglages de température: Désactivée, Basse, Moyenne, et Haute. Comme mesure de précaution, la température du siège changera automatiquement de Haute à Moyenne une fois qu'elle a fonctionné sur Haute pendant 10 minutes.
- **G - Économie d'énergie:** Utiliser les réglages normaux ou de super économie d'énergie si souhaité. Appuyer sur l'icône "ÉCONOMIE D'ÉNERGIE" une fois pour une économie d'énergie normale. Appuyer sur l'icône une deuxième fois pour démarrer une super économie d'énergie. En mode d'économie d'énergie normale, la température de l'eau sera à 77°F (25°C) et la température du siège sera à 82°F (28°C). En mode de super économie d'énergie, les températures de l'eau et du siège seront désactivées lorsque le siège n'est pas utilisé.

Fonctionnement (cont.)

- **H - Séchoir:** Appuyer sur l'icône "SÉCHOIR" pour activer la fonction de séchoir. Le séchoir s'arrête automatiquement au bout de 5 minutes.
- **I - Vers l'avant et J - Vers l'arrière:** Utiliser ces icônes pour déplacer la position de la baguette de vaporisation vers l'avant ou vers l'arrière pendant son utilisation.
- **K - Nettoyage de la buse:** Appuyer sur l'icône "NETTOYAGE BUSE" pour démarrer le cycle de nettoyage de la buse et de la baguette de vaporisation. Pendant le cycle "NETTOYAGE BUSE", la buse effectuera un mouvement de va-et-vient trois fois, puis s'arrêtera dans la position entièrement prolongée. La buse et la baguette de vaporisation peuvent alors être nettoyées manuellement. Voir la section "Nettoyer la baguette de vaporisation" pour obtenir des instructions détaillées sur le nettoyage de la buse et de la baguette de vaporisation.
- **Verrouillage du système** - Avec le siège non occupé, appuyer sur l'icône "TEMP EAU/SÉCHOIR" et continuer à appuyer pendant plus de 3 secondes pour verrouiller la fonction "TEMP EAU/SÉCHOIR" contre une utilisation ultérieure. Pour déverrouiller, appuyer sur l'icône "TEMP EAU/SÉCHOIR" et continuer de nouveau à appuyer pendant plus de 3 secondes. Avec le siège non occupé, appuyer sur l'icône "TEMP SIÈGE" et continuer à appuyer pendant plus de 3 secondes pour verrouiller la fonction "TEMP SIÈGE" contre une utilisation ultérieure. Pour déverrouiller, appuyer sur l'icône "TEMP SIÈGE" et continuer de nouveau à appuyer pendant plus de 3 secondes.
- **Oscillation de la baguette de vaporisation** - Lorsque la fonction "NETTOYAGE/OSCILLATION" ou "BIDET/OSCILLATION" est en marche, appuyer sur n'importe quelle icône une deuxième fois pour démarrer une oscillation de la baguette de vaporisation en un mouvement de va-et-vient. L'oscillation de la baguette de vaporisation s'arrête si l'on appuie sur n'importe quelle icône une troisième fois.
- **"Activé/Désactivé" forcé** - Si les tailles du siège et de la toilette ne sont pas compatibles, le capteur du siège pourrait ne pas détecter un siège occupé. Le capteur peut être annulé en appuyant sur l'icône "VERS L'AVANT" de la baguette de vaporisation et en continuant à appuyer pendant plus de 3 secondes. Les fonctions du siège peuvent être activées et désactivées sans qu'il ne soit nécessaire de se fier à l'activation du capteur.

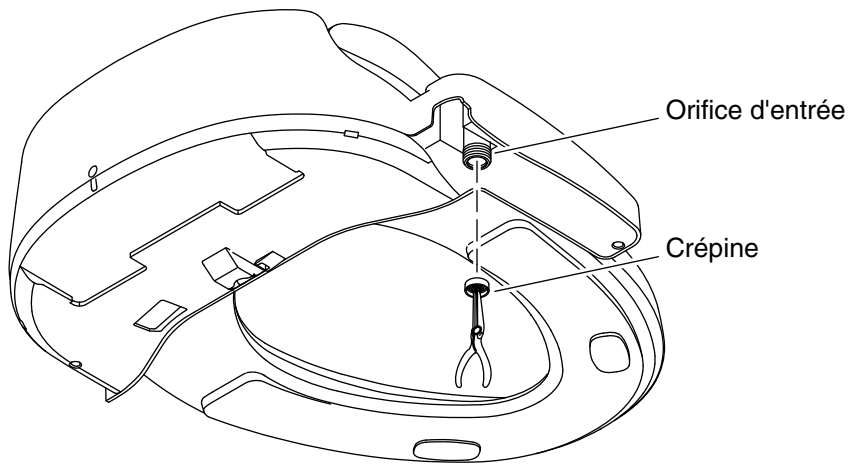


Nettoyer la baguette de vaporisation

REMARQUE: La baguette de vaporisation peut seulement être prolongée pour le nettoyage lorsque le siège n'est pas activé ou occupé.

Nettoyage manuel

- Lever le couvercle et le siège.
- Appuyer sur l'icône "NETTOYAGE BUSE". La baguette de vaporisation effectuera un mouvement de va-et-vient trois fois et s'arrêtera en position entièrement prolongée.
- Utiliser une éponge, une brosse ou un chiffon doux et propres pour nettoyer la baguette de vaporisation avec précaution.
- Appuyer sur l'icône "ARRÊT" pour rétracter la baguette de vaporisation. Le siège est maintenant prêt pour sa prochaine utilisation.
- Nettoyer la baguette de vaporisation avec une brosse à poils doux et de l'eau chaude.



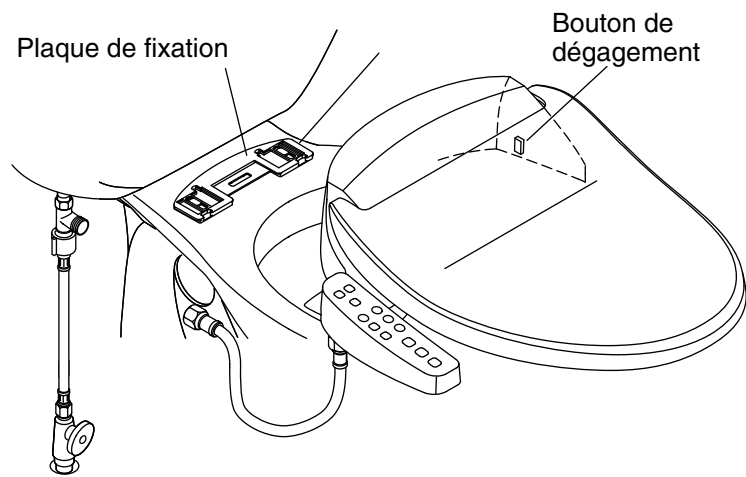
Nettoyage de la crépine

REMARQUE: Nettoyer la crépine tous les 6 mois ou lorsqu'il y a une réduction dans le débit d'eau maximum en provenance de la baguette de vaporisation.

- Couper l'eau au niveau du robinet d'arrêt d'arrivée.
- Passer la chasse pour relâcher la pression d'eau.
- Déconnecter le tuyau d'alimentation en eau du raccord du siège.
- À l'aide d'une pince à bec long, retirer la crépine de l'orifice d'entrée avec précaution.
- Nettoyer la crépine avec une brosse à poils doux.
- Réinstaller la crépine.

ATTENTION: Risque d'endommagement du produit. Ne pas fausser le filetage de la connexion tuyau à orifice d'entrée.

- Reconnecter le tuyau d'alimentation en eau à l'orifice d'entrée, d'un quart de tour au-delà du serrage à la main.
- Ouvrir l'alimentation en eau.
- Inspecter tous les raccords pour y rechercher des fuites éventuelles et effectuer tous les réglages au besoin.



Retirer le siège

IMPORTANT! Lors du retrait du siège pour un nettoyage, procéder avec soin et veiller à ne pas exercer de force sur les raccords du tuyau.

- Appuyer sur le bouton de dégagement.
- Glisser le siège vers l'avant pour accéder à la zone autour de la plaque de fixation. Éviter d'exercer une pression sur les tuyaux.
- Nettoyer la zone au besoin.
- Pour réinstaller, glisser le siège vers l'arrière jusqu'à ce qu'il engage la plaque de fixation.

Dépannage

Ce guide de dépannage est seulement destiné à fournir une aide d'ordre général. Un représentant du service agréé Kohler Co. ou un électricien qualifié doit rectifier tous les problèmes électriques.

Pour obtenir un service de garantie, appeler le Service après-vente en utilisant les numéros se trouvant sur la page arrière de ce manuel.

Symptômes	Causes probables	Action recommandée
1. Débit d'eau bas ou pas d'eau.	A. L'alimentation en eau vers le siège n'est pas ouverte.	A. Ouvrir l'alimentation en eau vers le siège.

Dépannage (cont.)		
Symptômes	Causes probables	Action recommandée
	B. La crépine est obstruée.	B. Nettoyer ou remplacer la crépine. Voir la section "Nettoyer la crépine".
	C. La pression d'eau du siège est réglée sur Basse.	C. Ajuster la pression d'eau du siège sur Moyenne ou Haute.
2. Les fonctions du siège ne fonctionnent pas.	A. Le cordon d'alimentation du siège est déconnecté de la prise de courant, ou le fusible ou disjoncteur s'est déclenché.	A. Brancher le cordon d'alimentation du siège, ou remplacer/réinitialiser le fusible ou le disjoncteur.
	B. Le capteur du siège ne détecte pas le contact cutané avec un utilisateur.	B. L'utilisateur du siège doit avoir un contact cutané avec le capteur du siège.
3. La température de l'eau, du siège ou du séchoir est trop basse.	A. La température de l'eau, du siège ou du séchoir est réglée sur Basse.	A. Ajuster la température de l'eau, du siège ou du séchoir sur Moyenne ou Haute.
	B. L'utilisateur a changé de position et n'est plus détecté par le capteur du siège.	B. Changer de position sur le siège. Le capteur se trouve sur l'avant du siège.
Conformité du produit		
<p>Cet appareil est conforme à la section 15 des réglementations de la FCC et de la/des normes RSS d'exemption de licence d'Industrie Canada. Le fonctionnement de l'appareil est soumis aux deux conditions suivantes:</p> <ol style="list-style-type: none"> 1. Cet appareil ne doit pas provoquer d'interférences néfastes, et 2. Cet appareil doit tolérer les interférences reçues, y compris celles qui risquent de provoquer un fonctionnement indésirable. <p>Tous changements ou modifications non expressément approuvés par</p>		

Conformité du produit (cont.)

la partie responsable garantissant la conformité, pourraient annuler le droit à l'utilisateur d'opérer l'équipement.

Cet appareil a été testé et est considéré conforme aux limitations d'un appareil numérique de classe B, selon la section 15 des réglementations FCC. Ces limites sont conçues pour fournir une protection raisonnable contre toute interférence nuisible lors d'une installation résidentielle. Cet appareil génère, utilise et peut émettre une énergie de radiofréquence et, s'il n'est pas installé et utilisé conformément aux instructions, pourrait être la cause d'interférences nuisibles aux communications par radio. Cependant, il n'est pas garanti qu'aucune interférence n'aura lieu dans une installation particulière. Si cet équipement cause des interférences radio nuisibles à la réception de radio ou de télévision, ce qui peut être déterminé en éteignant l'équipement et en le rallumant, l'utilisateur est encouragé à essayer de rectifier cette interférence par l'un des moyens suivants:

- Réorienter ou changer l'emplacement de l'antenne de réception.
- Augmenter la séparation entre l'équipement et le récepteur.
- Brancher l'équipement sur une prise d'un circuit différent de celui auquel le récepteur est connecté.
- Consulter un revendeur ou un technicien radio/TV expérimenté pour obtenir de l'assistance.

Entretien et nettoyage

Pour obtenir les meilleurs résultats possibles, prendre ce qui suit en considération lors de l'entretien de votre produit KOHLER:

IMPORTANT! Ne pas immerger le produit dans de l'eau.

- Toujours tester la solution de nettoyage sur une surface non visible avant de l'appliquer sur l'ensemble de la surface.
- Utiliser une éponge ou un chiffon doux et légèrement mouillés pour essuyer les surfaces. Enlever le nettoyant rapidement après l'application. Rincer et sécher tout éclaboussement sur les surfaces avoisinantes.
- Ne pas laisser les nettoyants tremper sur les surfaces.
- Ne jamais utiliser de matériau abrasif tel qu'une brosse ou une éponge à récurer pour nettoyer les surfaces.

Entretien et nettoyage (cont.)

Pour obtenir des renseignements détaillés sur le nettoyage et les produits à considérer, consulter le site kohler.com/clean. Pour commander des renseignements sur le nettoyage, appeler le 1-800-456-4537.

Garantie

Garantie limitée de trois ans de la toilette intelligente et du siège nettoyant C3 de KOHLER

Kohler Co. garantit ses toilettes dotées de la fonctionnalité de nettoyage intégrée ("Toilettes intelligentes") et les sièges de nettoyage électriques contre tout vice de matériau et de fabrication lors d'une utilisation domestique normale, pendant trois ans à partir de la date d'installation du produit. La présente garantie s'applique uniquement aux toilettes intelligentes et aux sièges de nettoyage électriques installés aux États-Unis d'Amérique, au Canada et au Mexique ("Amérique du Nord").

En cas de défectuosité lors d'une utilisation domestique normale, Kohler Co. choisira, à son gré, la réparation, le remplacement de la pièce ou du produit, ou la rectification appropriée, dans les cas où l'inspection de Kohler révélerait une telle défectuosité. Aucun dommage causé par un accident, une mauvaise utilisation ou un mauvais traitement n'est couvert par la présente garantie. Un entretien et un nettoyage inadéquats annulent la garantie*. Une preuve d'achat (ticket de caisse d'origine) doit être présentée à Kohler Co. avec toutes les réclamations au titre de la garantie. Kohler Co. n'est pas responsable des frais de main-d'œuvre, d'installation ou de tout autre frais particulier accessoire ou indirect que ceux susmentionnés. La responsabilité de Kohler Co. ne dépassera en aucun cas le prix d'achat de la toilette intelligente ou du siège de nettoyage électrique.

Si les toilettes intelligentes ou les sièges de nettoyage électrique sont utilisés dans un commerce ou si ces articles sont installés hors de l'Amérique du Nord, Kohler Co. garantit la toilette intelligente ou le siège de nettoyage électrique contre tout vice de matériau et de fabrication pendant un (1) an à partir de la date d'installation dudit produit, et toutes les autres modalités de la présente garantie s'appliquent à l'exception de sa durée.

Pour toute réclamation au titre de la présente garantie, contacter le vendeur, plombier, centre de rénovation ou revendeur par internet. Fournir tous les renseignements pertinents à la réclamation, dont notamment une description complète du problème et du produit, le numéro de modèle, la date et le lieu d'achat du produit, ainsi que la date de son installation. Joindre également l'original de la facture. Pour

Garantie (cont.)

de plus amples renseignements ou pour obtenir les coordonnées du service de réparation le plus proche, écrire à Kohler Co., Attn: Customer Care Center, Kohler, Wisconsin 53044, USA, ou appeler le 1-800-4-KOHLER (1-800-456-4537) à partir des É.-U. et du Canada, et le 001-800-456-4537 à partir du Mexique, ou consulter le site www.kohler.com aux É.-U., www.ca.kohler.com à partir du Canada, ou www.mx.kohler.com au Mexique.

LES GARANTIES SUSMENTIONNÉES SONT FOURNIES AU LIEU ET PLACE DE TOUTES AUTRES GARANTIES, EXPRESSES OU TACITES, Y COMPRIS LES GARANTIES TACITES DE COMMERCIALITÉ ET D'ADAPTATION À UN USAGE PARTICULIER. KOHLER CO. ET/OU LE REVENDEUR DÉCLINENT TOUTE RESPONSABILITÉ CONTRE LES DOMMAGES PARTICULIERS, ACCESSOIRES OU INDIRECTS.

Certains états et provinces ne permettent pas de limite sur la durée de la garantie tacite, ni l'exclusion ou la limite de tels dommages, et, par conséquent, lesdites limites et exclusions peuvent ne pas s'appliquer à votre cas. La présente garantie accorde au consommateur des droits juridiques particuliers. Vous pouvez également avoir d'autres droits qui varient d'un état ou d'une province à l'autre. La présente garantie est accordée uniquement à l'acquéreur d'origine et exclut tous dommages dus à une erreur d'installation, à un usage abusif ou à une mauvaise utilisation du produit, qu'ils soient effectués par un entrepreneur, une société de services ou le consommateur.

Ceci constitue la garantie écrite exclusive de Kohler Co.

*Ne jamais utiliser de nettoyeurs contenant des agents abrasifs, de l'ammoniaque, de l'eau de Javel, des acides, des cires, de l'alcool, des dissolvants ou autres produits non recommandés pour l'acier inoxydable ou le plastique polypropylène. Ceci annulera la garantie.

Guía del propietario

Asiento de limpieza

ADVERTENCIAS DE SEGURIDAD

IMPORTANTES

LEA TODAS LAS INSTRUCCIONES ANTES DE USAR

Al emplear productos eléctricos, en especial cuando haya niños presentes, siempre cumpla las precauciones básicas de seguridad, incluidas las siguientes:

¡IMPORTANTE! Riesgo de daños al producto. No instale este producto en un lugar donde quede expuesto a humedad excesiva, donde pudiera formarse condensación en la superficie del producto. Al tomar un baño, asegúrese de que haya ventilación adecuada para evitar daños a los componentes electrónicos debidos a altos niveles de humedad.

¡IMPORTANTE! Riesgo de daños al producto o a la propiedad. Si se empuja o si se tira de la conexión de agua podrían ocasionarse fugas de agua.

¡IMPORTANTE! Riesgo de daños al producto. No aplique fuerza excesiva a las varillas de rociado.

¡IMPORTANTE! Riesgo de daños al producto. En áreas donde el agua pudiera congelarse en las tuberías, haga lo necesario para evitar que se congele. El agua que quede en el asiento durante el almacenamiento en el invierno se podría congelar. Antes de volver a instalar o a usar la unidad, permita que llegue a la temperatura ambiente.

¡IMPORTANTE! Riesgo de daños al producto. No suministre corriente eléctrica a la unidad mientras no se haya completado la instalación de la plomería, ya que esto podría causar que el producto no funcionara bien.

NOTA: En climas cálidos los protectores térmicos podrían activarse durante el almacenamiento o el transporte, lo que causaría que la

ADVERTENCIAS IMPORTANTES DE SEGURIDAD (cont.)

unidad no funcionara. Antes de instalar la unidad o ponerla en funcionamiento, deje que se enfríe hasta la temperatura ambiente.



PELIGRO: Para reducir el riesgo de electrocución:

- No coloque ni almacene este producto donde pudiera caer o ser jalado hacia dentro de una bañera o de un lavabo.
- No lo coloque ni lo deje caer en agua ni en ningún otro líquido.
- No trate de sacar del agua algún aparato que haya caído en ella. Desconéctelo de inmediato.

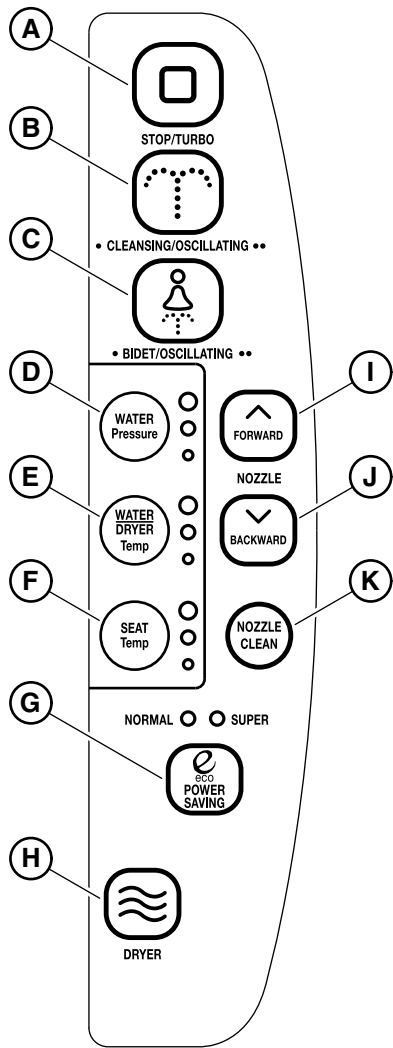


ADVERTENCIA: Para reducir el riesgo de quemaduras, electrocución, incendio o lesiones personales:

- Es necesario que haya supervisión cuando este producto esté siendo usado cerca de niños, ancianos o inválidos, o por ellos mismos. Ajuste la temperatura del asiento para los ancianos, los discapacitados o las personas con piel sensible.
- Use este producto únicamente con el fin para el que ha sido fabricado, tal como se describe en este manual. Solo use aditamentos que recomiende Kohler Co.
- No haga funcionar este producto si el enchufe o el cable están dañados, si el equipo no funciona adecuadamente, si se ha dejado caer, si ha sufrido daños, o si ha caído en agua. Devuelva el producto para que sea examinado y reparado.
- Mantenga el cable lejos de superficies calientes.
- Nunca bloquee las aberturas para aire del producto ni lo coloque sobre una superficie blanda, como una cama o un sillón, donde las aberturas para aire pudieran quedar bloqueadas. Evite pelusa, cabello y similares en las aberturas para aire.
- Nunca utilice mientras duerma o esté adormilado.
- No deje caer ni introduzca objetos en ninguna abertura o manguera.
- No utilice en exteriores ni en lugares en los que se empleen aerosoles o en los que se administre oxígeno.
- Conecte este producto solamente a un tomacorriente que esté conectado a tierra correctamente. Consulte la sección "Instrucciones de conexión a tierra".
- Este producto cumple las estipulaciones de US 21 CFR, Capítulo 1, Subcapítulo J, Salud Radiológica.

ADVERTENCIAS IMPORTANTES DE SEGURIDAD (cont.)

GUARDE ESTAS INSTRUCCIONES



Funcionamiento

Funcionamiento (cont.)

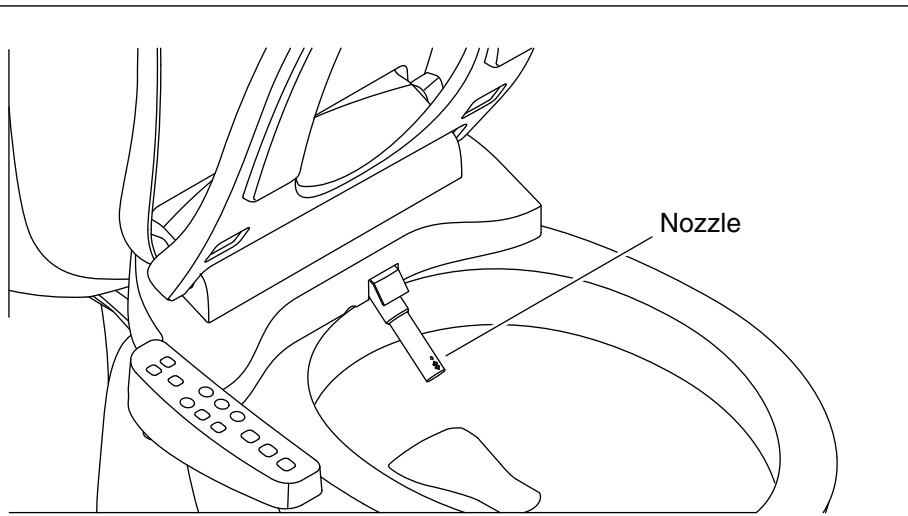
- **A - Stop/Turbo - Parar/Turbo:** Oprima el ícono "STOP/TURBO" para detener cualquier función del asiento que esté en funcionamiento. También puede oprimir el ícono "STOP" sin que ninguna función esté activa para iniciar un rocío de masaje con agua tibia y la varilla de rociado oscilando de atrás hacia adelante.
- **B - Cleansing/Oscillating - Lavado/Oscilación:** Activa la función de lavado posterior. Oprima el ícono "CLEANSING/OSCILLATING" una segunda vez para activar la función de oscilación. El funcionamiento se detiene automáticamente después de unos 90 segundos, y se puede reiniciar al volver a oprimir el ícono.
- **C - Bidet/Oscillating - Bidet/Oscilación:** Activa la función de lavado frontal. Oprima el ícono "BIDET/OSCILLATING" una segunda vez para activar la función de oscilación. El funcionamiento se detiene automáticamente después de unos 90 segundos, y se puede reiniciar al volver a oprimir el ícono.
- **D - Water Pressure _ Presión del agua:** Oprima el ícono "WATER PRESSURE" para cambiar la presión (fuerza) del rocío de agua. La presión del agua usada durante la visita anterior se guarda para el siguiente usuario. Ajuste la presión del agua a alguna de las 4 selecciones: Off (apagado), Low (baja), Medium (intermedia), High (alta).
- **E - Water/Dryer Temp - Temp agua/secado:** Oprima el ícono "WATER/DRYER TEMP" para cambiar por separado la temperatura del rocío de agua y de secado. Oprima el ícono "WATER/DRYER TEMP" para activar, desactivar y ajustar la temperatura del agua o de secado mientras alguna de estas funciones esté funcionando. Hay 4 selecciones de temperatura disponibles: Off (apagado), Low (baja), Medium (intermedia) y High (alta).
- **F - Seat Temp - Temp del asiento:** Oprima el ícono "SEAT TEMP" para activar, desactivar y ajustar la temperatura del asiento. Esta función tiene 4 selecciones de temperatura disponibles: Off (apagado), Low (baja), Medium (intermedia) y High (alta). Como precaución de seguridad, la temperatura del asiento cambia automáticamente de alta a intermedia después de estar funcionando en alta durante 10 minutos.

Funcionamiento (cont.)

- **G - Power Saving - Ahorro de energía:** Use ya sea las selecciones de ahorro de energía normal o súper, si lo desea. Oprima el ícono "POWER SAVING" una vez para ahorro de energía normal. Oprima el icono una segunda vez para iniciar el ahorro de energía súper. En el modo de ahorro de energía normal, la temperatura del agua es 77°F (25°C) y la temperatura del asiento es 82°F (28°C). En el modo de ahorro de energía súper, la temperatura del agua y del asiento se desactiva cuando el asiento no está en uso.
- **H - Dryer - Secador:** Oprima el ícono "DRYER" para activar la función de secado. El secador se detiene automáticamente después de unos 5 minutos.
- **I - Forward (adelante) y H - Backward (atrás):** Use estos íconos para mover la posición de la varilla de rociado hacia adelante o hacia atrás durante el uso.
- **K - Nozzle Clean - Limpieza de boquilla:** Oprima el ícono "NOZZLE CLEAN" para iniciar el ciclo de limpieza de la boquilla y de la varilla de rociado. Durante el ciclo de limpieza "NOZZLE CLEAN", la boquilla se mueve hacia atrás y hacia adelante 3 veces, y se detiene en la posición completamente extendida. Entonces usted puede limpiar manualmente la boquilla y la varilla de rociado. Consulte instrucciones detalladas de limpieza de la boquilla y de la varilla de rociado en la sección "Limpie la varilla de rociado".
- **System Locks - Bloqueo del sistema** Cuando el asiento no esté ocupado, oprima y sostenga oprimido el ícono "WATER/DRYER TEMP" durante más de 3 segundos para bloquear la función "WATER/DRYER TEMP". Para desbloquear, oprima y sostenga oprimido el ícono "WATER/DRYER TEMP" de nuevo durante más de 3 segundos. Cuando el asiento no esté ocupado, oprima y sostenga oprimido el ícono "SEAT TEMP" durante más de 3 segundos para bloquear la función "SEAT TEM". Para desbloquear, oprima y sostenga oprimido el ícono "SEAT TEM" de nuevo más de 3 segundos.
- **Spray Wand Oscillation - Oscilación de la varilla de rociado** Cuando cualquiera de las funciones "CLEANSING/OSCILLATING" o "BIDET/OSCILLATING" estén funcionando, oprima cualquiera de sus íconos una segunda vez para iniciar la oscilación hacia atrás y adelante de la varilla de rociado. Se puede oprimir cualquiera de los íconos una tercera vez para detener la oscilación de la varilla de rociado.

Funcionamiento (cont.)

- **Forced "On/Off" - Encendido/Apagado forzado** Si el tamaño del asiento y del inodoro no son compatibles, es posible que el sensor del asiento no detecte cuando el asiento esté ocupado. Se puede invalidar el sensor al oprimir y sostener oprimido el ícono "FORWARD" de la varilla de rociado durante más de 3 segundos. Hasta es posible activar y desactivar las funciones del asiento sin confiar en la activación del sensor.

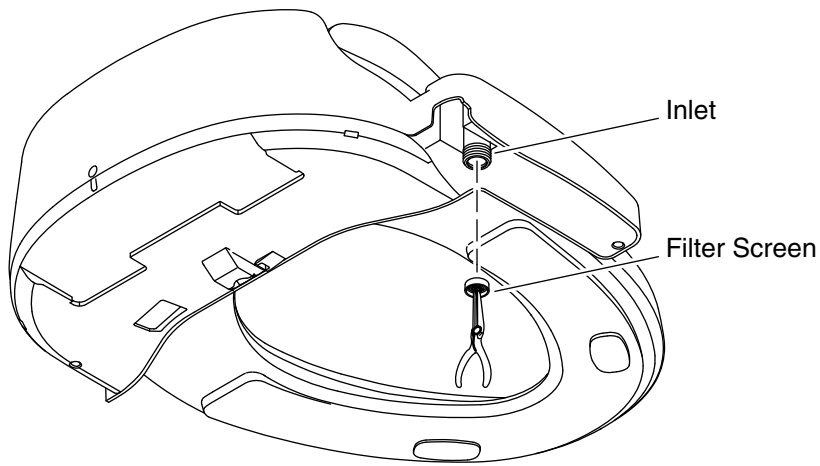


Limpié la varilla de rociado

NOTA: La varilla de rociado solo se puede extender para limpiarla cuando el asiento no está activado u ocupado.

Limpieza manual

- Levante la tapa y el asiento.
- Oprima el ícono "NOZZLE CLEAN". La varilla de rociado se mueve hacia atrás y hacia adelante 3 veces y se detiene en la posición completamente extendida.
- Para limpiar la varilla de rociado use una esponja, un cepillo o un paño suave y limpio.
- Oprima el ícono "STOP" para retraer la varilla de rociado. El asiento está ahora listo para el siguiente uso.
- Limpie la varilla de rociado con un cepillo de cerdas suaves y agua caliente.



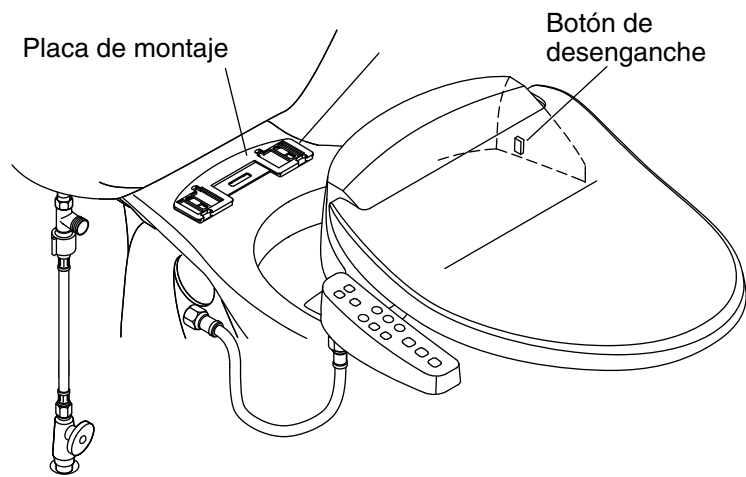
Limpeza de la pantalla

NOTA: Limpie el tamiz de filtro cada 6 meses o en cualquier momento en que baje el flujo de agua máximo de la varilla de rociado.

- Cierre el agua en la llave de paso de suministro.
- Accione la descarga del inodoro para reducir la presión del agua.
- Desconecte la manguera de suministro de agua de la conexión al asiento.
- Con pinzas de punta larga retire con cuidado el tamiz de filtro de la línea de entrada.
- Limpie el tamiz de filtro con un cepillo de cerdas suaves.
- Vuelva a instalar el tamiz de filtro.

PRECAUCIÓN: Riesgo de daños al producto. No trasrosque la conexión de la manguera a la línea de entrada.

- Vuelva a conectar la manguera de suministro de agua a la línea de entrada 1/4 de vuelta adicional después de apretar a mano.
- Abra el suministro de agua.
- Revise todas las conexiones para asegurarse de que no haya fugas, y haga los ajustes necesarios.



Retire el asiento

¡IMPORTANTE! Al retirar el asiento para limpiarlo, tenga cuidado para evitar ejercer fuerza en las conexiones de la manguera.

- Oprima el botón de desenganche.
- Deslice el asiento hacia adelante para obtener acceso al área alrededor de la placa de montaje. Evite ejercer presión en las mangueras.
- Limpie el área lo que sea necesario.
- Para volver a instalar el asiento, deslícelo hacia atrás hasta que se enganche en la placa de montaje.

Resolución de problemas

Esta guía de resolución de problemas está diseñada únicamente como ayuda general. Todos los problemas eléctricos deben ser resueltos por un representante de servicio autorizado de Kohler Co. o un electricista calificado.

Para obtener servicio bajo garantía, comuníquese con el Centro de Atención al Cliente mediante los números en la página posterior de este manual.

Síntomas	Causas probables	Acción recomendada
1. Poco o nada de flujo de agua.	A. El suministro de agua al asiento no está abierto.	A. Abra el suministro de agua al asiento.

Resolución de problemas (cont.)		
Síntomas	Causas probables	Acción recomendada
	B. El tamiz de filtro está tapado.	B. Limpie o cambie el tamiz de filtro. Vea la sección "Limpie el tamiz de filtro".
	C. La presión de agua al asiento está establecida en baja, Low.	C. Ajuste la presión del agua al asiento a intermedia o alta, Medium o High.
2. Las funciones del asiento no funcionan.	A. El cable de suministro eléctrico al asiento está desconectado del tomacorriente, o se ha disparado el fusible o del interruptor de circuito.	A. Conecte el cable de suministro eléctrico o reemplace o restablezca el interruptor de circuito.
	B. El sensor del asiento no detecta contacto con la piel del usuario.	B. El usuario debe asegurarse de que la piel haga contacto con el sensor del asiento.
3. La temperatura del agua, del asiento o de secado es demasiado baja.	A. La temperatura del agua, del asiento o de secado está establecida en baja, Low.	A. Ajuste la temperatura del agua, asiento o secado a intermedia o alta, Medium o High.
	B. El usuario cambió de posición y ya no lo detecta el sensor del asiento.	B. Cambie su posición en el asiento. El sensor está ubicado en la parte delantera del asiento.

Conformidad del producto

Este dispositivo cumple las normas FCC sección 15 y RSS de excepción de licencia de la Industria de Canadá. La operación de este equipo está sujeta a las siguientes dos condiciones:

1. Este equipo o dispositivo no puede causar interferencia perjudicial, y
2. Este dispositivo debe aceptar cualquier interferencia que reciba, incluida la interferencia que pudiera causar funcionamiento no

Conformidad del producto (cont.)

deseado.

Cualquier modificación o cambio que no haya sido aprobado expresamente por la parte responsable de la conformidad podría invalidar el derecho del usuario a utilizar el producto.

Este equipo ha sido probado, y se ha encontrado que satisface los límites de un aparato digital Clase B, de acuerdo a la sección 15 de las normas de la FCC. Estos límites están diseñados para proveer protección razonable contra interferencia perjudicial en una instalación residencial. Este equipo genera, usa y puede radiar energía de radiofrecuencia y, si no se instala y utiliza en cumplimiento de las instrucciones, puede causar interferencia perjudicial a las comunicaciones de radio. Sin embargo, no se garantiza que la interferencia no pudiera ocurrir en una instalación en particular. Si este equipo causa interferencia perjudicial a la recepción de radio o televisión, lo que se puede determinar al encender y apagar el equipo, se le recomienda al usuario que trate de corregir la interferencia mediante una de las siguientes medidas:

- Cambiar la orientación o el lugar de la antena receptora.
- Aumentar la separación entre el equipo y el receptor.
- Conectar el equipo a un tomacorriente en un circuito diferente al que utiliza el receptor.
- Consultar al distribuidor o a un técnico con experiencia en radio/televisión para obtener ayuda.

Cuidado y limpieza

Para obtener los mejores resultados, tenga presente lo siguiente al limpiar su producto KOHLER:

¡IMPORTANTE! No sumerja el producto en agua.

- Siempre pruebe la solución de limpieza en un área oculta antes de aplicarla a toda la superficie.
- Limpie bien con una esponja o con un trapo suave y húmedo. Retire el limpiador rápidamente después de aplicarlo. Enjuague y seque las superficies cercanas que hayan recibido salpicaduras.
- No deje mucho tiempo los limpiadores en las superficies.

Cuidado y limpieza (cont.)

- Para limpiar las superficies nunca utilice materiales abrasivos, como cepillos o estropajos.

Para obtener información detallada de limpieza y de productos a considerar, visite kohler.com/clean. Para solicitar información sobre el cuidado y la limpieza, llame al 1-800-456-4537.

Garantía

Garantía limitada de tres años del asiento de limpieza C3 y del inodoro inteligente KOHLER

Kohler Co. garantiza sus inodoros con funcionalidad integrada de lavado ("inodoros inteligentes") y sus asientos de limpieza contra defectos de material y mano de obra durante el uso normal residencial, durante tres años a partir de la fecha de instalación del producto. Esta garantía se aplica solamente a inodoros inteligentes y asientos de limpieza instalados en Estados Unidos de América, Canadá y México ("Norteamérica").

Si se encuentra un defecto durante el uso residencial normal, Kohler Co., a su criterio, reparará, proveerá una pieza de repuesto o un producto, o realizará los ajustes pertinentes en los casos en que la inspección realizada por Kohler Co. determine dicho defecto. Esta garantía no cubre daños causados por accidente, abuso o uso indebido. El cuidado y la limpieza indebidos anulan la garantía*. Al presentar las reclamaciones de garantía a Kohler Co. es necesario incluir el comprobante de compra (recibo de venta original). Kohler Co. no se hace responsable de costos de mano de obra, instalación u otros costos incidentales o indirectos, aparte de los mencionados arriba. En ningún caso deberá la responsabilidad de Kohler Co. exceder el precio de compra del inodoro inteligente o del asiento de limpieza eléctrico.

Si los inodoros inteligentes o los asientos de limpieza eléctricos se utilizan comercialmente o si se instalan fuera del territorio de Norteamérica, Kohler Co. garantiza que el inodoro inteligente y que el asiento de limpieza eléctrico estarán libres de defectos de material y de mano de obra durante un (1) año a partir de la fecha de instalación del producto, quedando en efecto el resto de las condiciones de esta garantía a excepción de la duración.

Si usted considera que tiene una reclamación en virtud de la garantía, comuníquese con su centro de remodelación, distribuidor, contratista de plomería o distribuidor por Internet. Asegúrese de proporcionar toda la información pertinente a su reclamación, incluida una descripción completa del problema, el producto, el número de modelo, la fecha de compra del producto, el lugar de compra del producto, y la fecha de instalación. También incluya el recibo original. Para obtener

Garantía (cont.)

información adicional, o para el nombre y la dirección del lugar de reparación y servicio más cercano a usted, escriba a Kohler Co., Atención: Customer Care Center, Kohler, Wisconsin 53044 USA, o llame al 1-800-4-KOHLER (1-800-456-4537) desde los EE.UU. y Canadá, y al 001-800-456-4537 desde México, o visite www.kohler.com desde los EE.UU., www.ca.kohler.com desde Canadá, o www.mx.kohler.com en México.

LAS GARANTÍAS ANTERIORMENTE MENCIONADAS SUSTITUYEN A TODAS LAS DEMÁS GARANTÍAS, EXPRESAS O IMPLÍCITAS, INCLUIDAS, ENTRE OTRAS, LAS GARANTÍAS IMPLÍCITAS DE COMERCIALIZACIÓN E IDONEIDAD PARA UN USO DETERMINADO. KOHLER CO. Y/O EL VENDEDOR DESCARGAN TODA RESPONSABILIDAD POR CONCEPTO DE DAÑOS PARTICULARES, INCIDENTALES O INDIRECTOS.

Algunos estados/algunas provincias no permiten limitaciones en cuanto a la duración de una garantía implícita o a la exclusión o limitación de dichos daños, por lo que es posible que estas limitaciones y exclusiones no se apliquen a su caso. Esta garantía otorga al consumidor ciertos derechos legales específicos. Además, usted puede tener otros derechos que varían de estado a estado y de provincia a provincia. Esta garantía está destinada únicamente para el comprador consumidor original y excluye todo daño al producto como resultado de errores de instalación, abuso del producto o uso indebido del mismo, bien sea por parte de un contratista, de una compañía de servicios o del consumidor mismo.

Esta es la garantía exclusiva por escrito de Kohler Co.

*Nunca utilice limpiadores que contengan abrasivos, amoníaco, blanqueador, ácidos, ceras, alcohol, disolventes u otros productos no recomendados para acero inoxidable o para plástico de polipropileno. Esto anula la garantía.

1321456-5-A

1321456-5-A

1321456-5-A

USA/Canada: 1-800-4KOHLER

México: 001-800-456-4537

kohler.com

THE BOLD LOOK
OF **KOHLER**®

©2017 Kohler Co.

1321456-5-A