

# TOTO®

# MS920CEMFG

## WASHLET® G400 with Integrated Toilet, 1.28GPF/0.9 GPF

### FEATURES

- 3D TORNADO FLUSH® system, high-efficiency (1.28GPF/4.8LPF and 0.9GPF/3.4LPF)
- CEFIONTECT® ceramic glaze minimizes debris and mold from sticking to porous, ceramic surfaces
- Universal Height
- Skirted design
- Elongated front bowl
- 12" Rough-In
- Auto open/close lid, auto flush
- Multifunction remote control, with illuminated touch pad
- Heated seat with temperature control
- Water Premist™ of bowl before each use
- Adjustable spray position
- WASHLET® with three wash modes (front, rear, soft)
- Oscillating and pulsating comfort washing
- Energy saver timer
- Built-in air purifying system

### COMPONENTS

- SN920M - Top Unit
- CT920CEMFG - Bowl Unit

### COLORS/FINISHES

- #01 Cotton
- #12 Sedona Biege

### PRODUCT SPECIFICATION

The WASHLET G400 with the 3D TORNADO FLUSH system toilet shall be 1.28GPF/4.8LPF. Toilet shall have CEFIONTECT ceramic glaze. Toilet shall be of skirted design, elongated front bowl with auto open and close seat. Toilet shall be **TOTO Model MS920CEMFG**\_\_\_\_\_.



### CODES/STANDARDS

- Meets and exceeds ASME A112.4.2, ASME A112.19.2/CSA B45.1, ASME A112.18.1/CSA B125.1, UL 1431, CSA C22.2 # 68
- Certifications: IAPMO(cUPC), State of Massachusetts, City of Los Angeles and others
- Code Compliance: UPC, IPC, NSPC, and others
- ADA compliant
- Complies with CA Prop 65 warning requirements



CALGreen

# MS920CEMFG

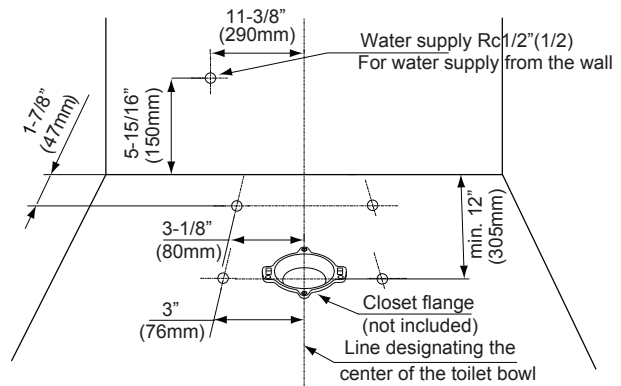
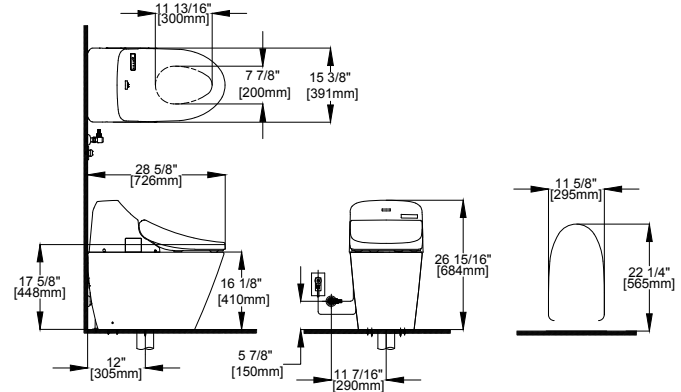
## WASHLET® G400 with Integrated Toilet, 1.28GPF and 0.9 GPF

### SPECIFICATIONS

Water Use:	1.28 GPF/4.8 LPF & 0.9 GPF/3.4 LPF
Flush System:	3D TORNADO FLUSH
Water Pressure:	Min 7.25 PSI (0.05MPa) Flowing Max 108.75PSI (0.75MPa) static
Water Surface:	5-3/8" (137 mm) x 4-3/16" (106 mm)
Trap Diameter:	2-3/4" (70 mm)
Rough In:	12" rough in Warning: If there is a base board in the restroom, the center of the floor drain should be a minimum of 12" from the base board.
Trap Seal:	2-1/8" (54 mm)
Warranty:	One Year Limited (Residential) One Year Limited (Commercial)
Material:	Bowl: Vitreous china Seat and cover: Plastic
Shipping Weight:	Top Unit - SN920M 17.6lbs Elongated Bowl Unit - CT920CEMFG 106lbs
Shipping Dimensions:	SN920M - 20-5/8" x 34-13/16" x 8-13/16" CT920CEMFG - 18-13/16" x 33-1/4" x 24-7/8"

### INSTALLATION NOTES

- For use with potable water only. Do not use with recycled water.



Power Rating	120V AC, 60Hz, 409W
Power Cord	Maximum length: 3.94ft (120cm)
Water Feature	Adjustable Water Flow Rate Rear washing: from 9.1 to 14.5 oz/min. Soft washing: from 9.1 to 14.5 oz/min. Front washing: from 9.8oz/min to 14.5oz/min
Drying Feature	Temperature of Washing Spray Minimum: 86° F/30° C Maximum: 104° F/40° C Safety Features: Thermal fuse, overheat shutoff switch, (bimetal automatic return type), anti-idling float switch Air Temperature: High: About 140°F (60°C) Low: About 95°F (35°C)

Seat Warming Feature	Capacity of Air: 10.24ft <sup>3</sup> /min (approx. 0.29m <sup>3</sup> /min) Safety Feature: Thermal fuse Surface Temperature: Minimum: 82°F (28°C) Maximum: 97° F/36° C Seat Heater Capacity: 50W
Air Purifying Feature	Safety Feature: Thermal fuse Method: O <sub>2</sub> Deodorizer Air Volume: 5.7 ft <sup>3</sup> /min
Ambient Temperature Range	32°F (0°C) to 104°F (40°C)
Size	15 3/8" x 28 5/8" x 26 15/16"
Weight	Net: 102 lbs.

**TOTO®**

These dimensions and specifications are subject to change without notice