

# TOTO®

# MW4743074CEFG

## Vespin® II / WASHLET®+ C2 Two-Piece Toilet - 1.28 GPF

### FEATURES

- Concealed supply connection for seamless installation
- TORNADO FLUSH® system, high-efficiency (1.28GPF/4.8LPF)
- CEFIONTECT® glaze prevents debris from sticking to ceramic surfaces for easy cleaning
- Skirted Design
- Universal Height
- Elongated front bowl
- Chrome trip lever
- 12" Rough-in, supply line sold separately
- 10" & 14" optional rough-in
- See Spec sheet SW3074T40 for WASHLET features

### MODELS & COMPONENTS

- **MW4743074CEFG#01**  
With CEFIONTECT ceramic glaze & WASHLET+ C2
  - **CT474CUFGT40**  
Elongated bowl with CEFIONTECT
  - **ST454EA**  
Tank and cover only
  - **SW3074T40**  
WASHLET+ C2
- **Optional Rough-In**
  - TSU01W.10R (10" Rough-In)
  - TSU01W.14R (14" Rough-In)

### COLORS/FINISHES

- Standard  
#01 Cotton

### PRODUCT SPECIFICATION

The two-piece high-efficiency TORNADO FLUSH toilet shall be 1.28GPF/4.8LPF. Universal Height Toilet with CEFIONTECT glaze finish. Toilet shall have high-profile tank, elongated front bowl and chrome trip lever. Toilet shall be **TOTO Model MW4743074CEFG#01**.

See TOTO Specification sheet **SW3074T40** for details on required WASHLET.



CEFIONTECT



WASHLET



TORNADO FLUSH

### CODES/STANDARDS

- Meets and exceeds ASME A112.19.2/CSA B45.1
- Certifications: IAPMO(cUPC), EPA WaterSense, State of Massachusetts, City of Los Angeles, and others
- Code compliance: UPC, IPC, NSPC, NPC Canada, and others
- Legislative Compliance: California AB715, California Green Building Code, City of Los Angeles Water Efficiency Ordinance
- ADA compliant (when installed with trip lever located on the approach side)
- Complies with CA Prop 65 warning requirements



# MW4743074CEFG

## Vespin® II / WASHLET®+ C2 Two-Piece Toilet - 1.28 GPF

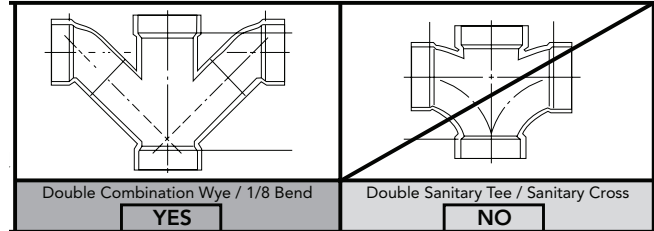
### SPECIFICATIONS

- Water Use 1.28 GPF/4.8LPF
- Flush System TORNADO FLUSH®
- Min. Water Pressure 8 psi (static)
- Water Surface 6-7/8" x 9-3/4"
- Trap Diameter 2-1/8"
- Rough-in 12" (10" or 14" Optional)
- Trap Seal 2-1/8"
- Warranty One Year Limited Warranty
- Material Vitreous china
- Shipping Weight CT474CUFGT40 75lbs.  
ST454EA 31.5lbs.  
SW3074T40 17lbs.
- Shipping Dimensions CT474CUFGT40  
30-1/8" L x 16-3/4" W x 22" H  
ST454EA  
18" L X 9" W X 16" H  
SW3074T40  
24-3/8" L X 20-3/4" W X  
9-1/8" H
- See Spec sheet **SW3074T40** for WASHLET details

### INSTALLATION NOTES

Back-to-Back Toilet Installations:

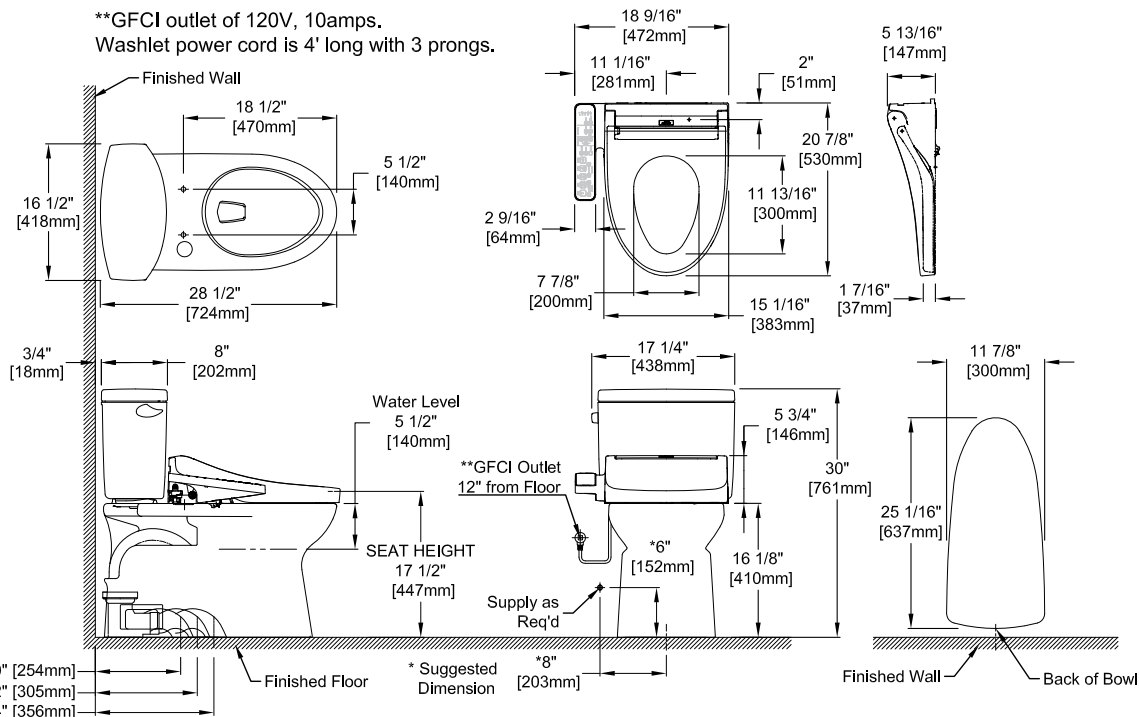
TOTO recommends the use of a nationally listed, double sanitary tee-wye only, in vertical waste stacks, in accordance with the stipulations noted in the majority of nationally recognized plumbing codes.



Install this product according to the installation guide.

Will comply with ADA when installed per Section 604 Water Closets and Toilet Compartments of the ADA 2010 Accessible Design Standard with seat height between 17" to 19", trip lever on approach side and flush actuation force of less than 5lbs.

Will comply with CSA B651 when installed per Clause 6.2.6 Toilets of the CSA 2012 Accessible Design Standard with seat height between 17" to 19", trip lever on approach side and flush actuation force of less than 5lbs.



**TOTO**

These dimensions and specifications are subject to change without notice