

Ultra-NOVA

Owner's Manual for Models: Ultra-NOVA
Ultra-NOVA+



✦ Contents:

Features	3
Warnings and Precautions	4
Size Requirements	4
Parts	5
Installation	7
Testing Before Use	12
Operation	13
Cleaning	17
Troubleshooting	19
Warranty	20
Technical Specifications	22

✦ Features

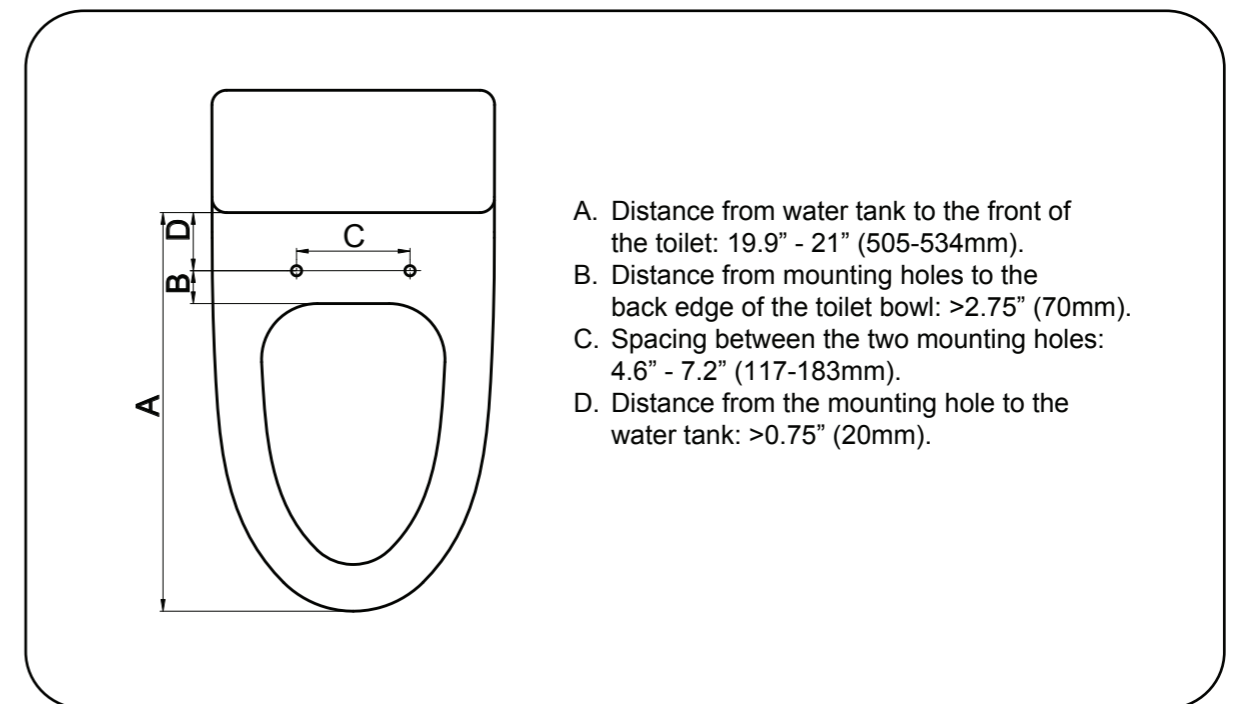
Please confirm the model you purchased to determine which functions it includes. The model can be found on the nameplate at the rear of the unit.

Models		Ultra-NOVA	Ultra-NOVA+
Basic Functions	Seat Heating	✓	✓
	Water Heating	✓	✓
	Rear/Front Wash	✓	✓
	Warm Air Drying	✓	✓
Additional Functions	Auto-Open/Close Lid	✓	✓
	Slow-Close Lid	✓	✓
	Auto-Flushing		✓
	Radio Frequency Remote Control	✓	✓
	Nozzle Oscillation	✓	✓
	Hot/Cold Massage	✓	✓
	Enema Wash	✓	✓
	Silver-Nano Sterilization	✓	✓
	Antibacterial Seat	✓	✓
	External Water Filter	✓	✓
Energy Saving	✓	✓	

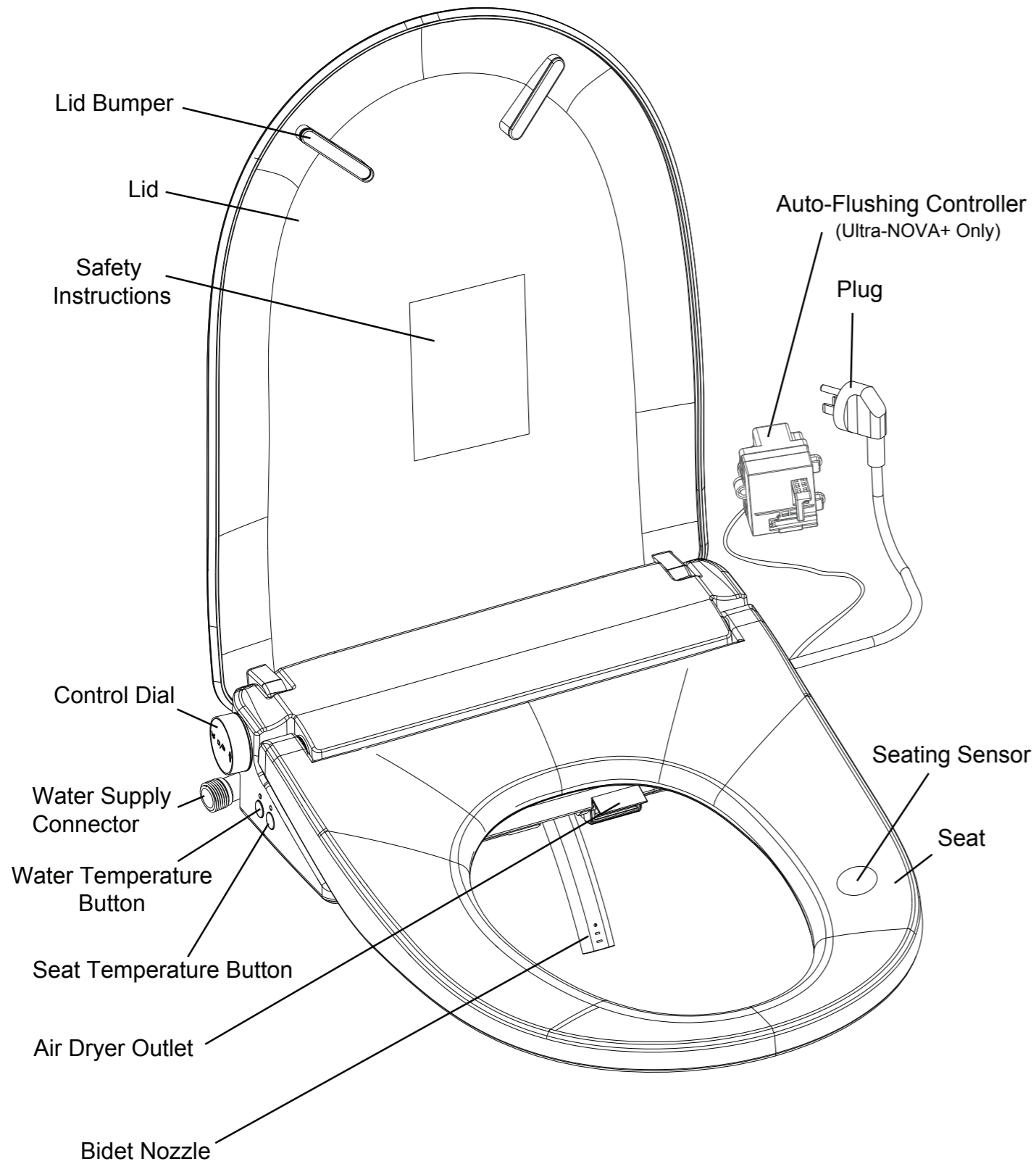
✦ Warnings and Precautions

- Do not kink the water hose.
- Do not get the unit wet.
- Unplug the unit before cleaning.
- Only use natural cleaners on the unit.
- Use with a GFCI outlet only.
- If an extension cord is needed, use a 14- or 12-gauge cord.
- This unit is only intended for use as described in this manual.
- Do not use if the unit is damaged.

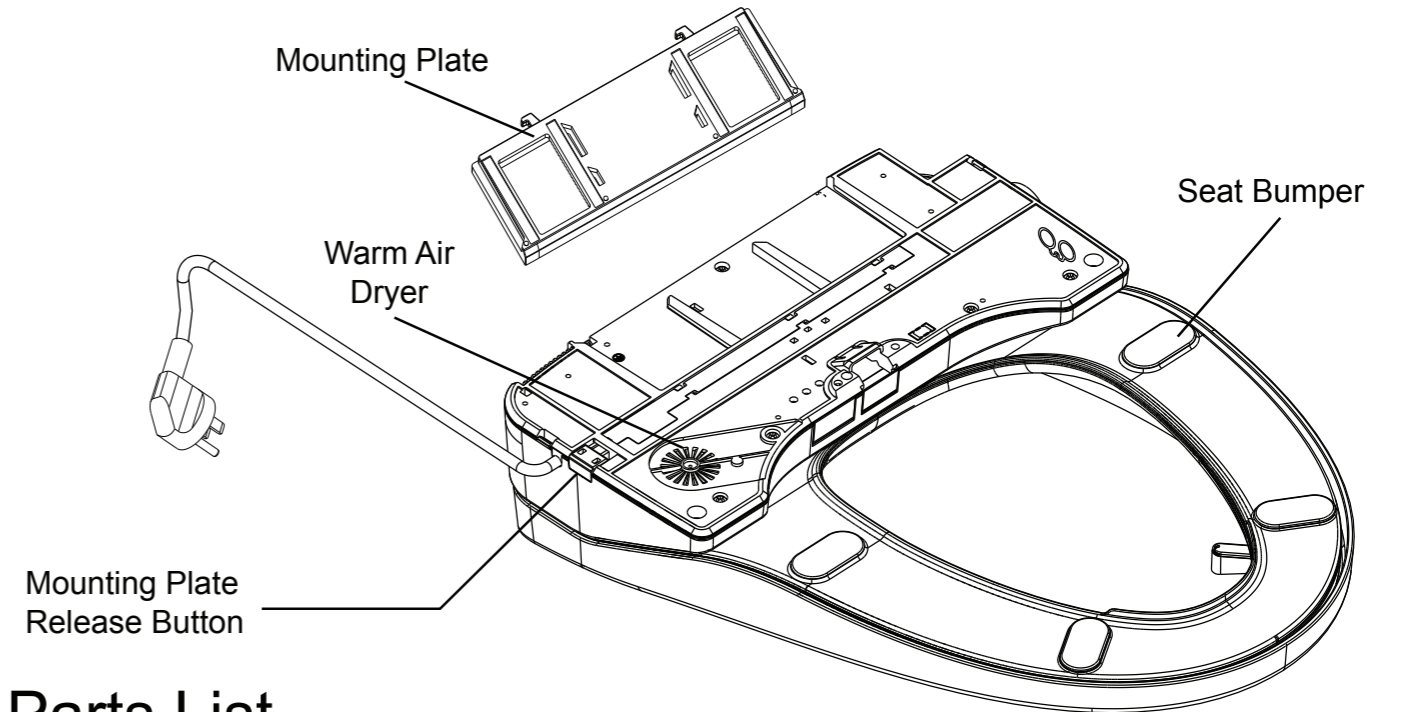
✦ Size Requirements



Parts



Parts

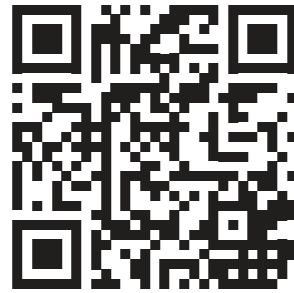


Parts List

NO.	Name	Qty.	Sketch	NO.	Name	Qty.	Sketch
1	Bidet Seat	1pcs		6	Remote Control	1pcs	
2	Mounting Plate	1pcs		7	Remote Mounting Bracket & Guide	2pcs	
	Locking Bracket	2pcs			Expansion Tube	2pcs	
	Top-Mounting Bolts	2sets			Wall Screw	2pcs	
3	T-Connector	1pcs		These parts are only for Ultra-NOVA+	Auto-Flush Module	1pcs	
	Supply Hose	1pcs			Adjustable Clamp Collar (Inner diameter adjusts from 50mm to 100mm)	1pcs	
	Filter	1pcs			Clamp Screw	4pcs	
4	Owner's Manual	1pcs			Push Rod Extension (Only use if Push Rod is too short)	1pcs	
5	Cardboard Installation Guide	1pcs					

Installation

For a step-by-step video walkthrough of the installation process for this product, scan this QR code or visit <https://novabidet.com/ultra-nova-intro/>.



1. Prepare for Installation

Before installing the bidet seat:

- Remove the existing toilet seat and turn off the Water Supply Valve.
- Flush the toilet and hold down the Flush Lever or Button for 5 to 10 seconds.
- Place a sponge, rag, or bucket under the Toilet Water Inlet.
- Disconnect the Water Supply Hose from the Toilet Water Inlet.

Installation

2. Install the Mounting Plate

- Push the Rubber Sleeve into the Mounting Hole of the Toilet.
- Place the Mounting Plate over the Mounting Holes on the Toilet and align it using the Cardboard Installation Guide.
- Place Locking Brackets over the Mounting Holes.
- Slide Bolts through the Locking Bracket and into the Rubber Sleeves.
- Tighten Bolts.

Note: For uneven ceramic, add a 2mm-thick pad at the rear end of the Mounting Plate.

3. Secure the Ultra-NOVA Seat

Align the bottom of the seat with the Mounting Plate and push it toward the Toilet Tank.

When you hear the "click" sound, it indicates that the seat is locked in place.

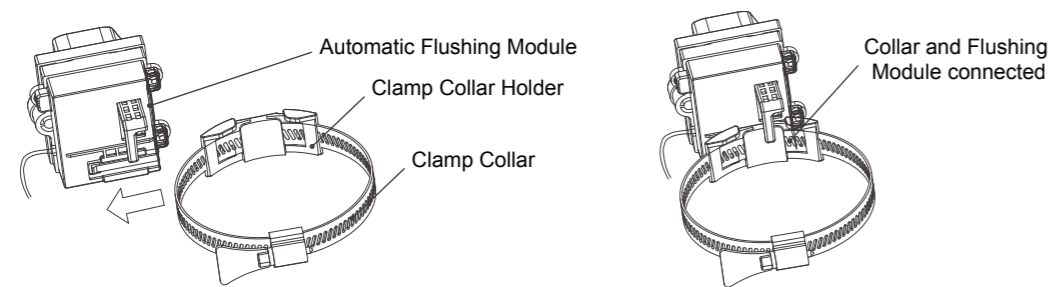
✦ Installation (Auto-Flush)

Install the Automatic Flushing Module (Ultra-NOVA+ Only)

Prepare the Automatic Flushing Module for installation

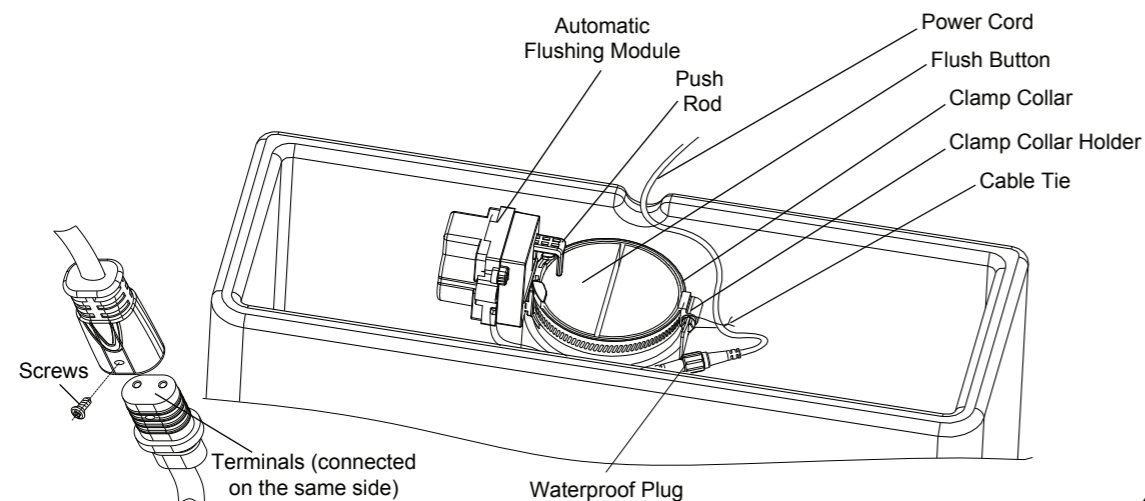
1. Secure the Clamp Collar Holder to the Automatic Flushing Module by sliding it sideways as shown below. (You should hear a click.)

The clamp can be adjusted with an inner diameter of 50mm to 100mm, which can be adapted to most parts.



Install the Automatic Flushing Module

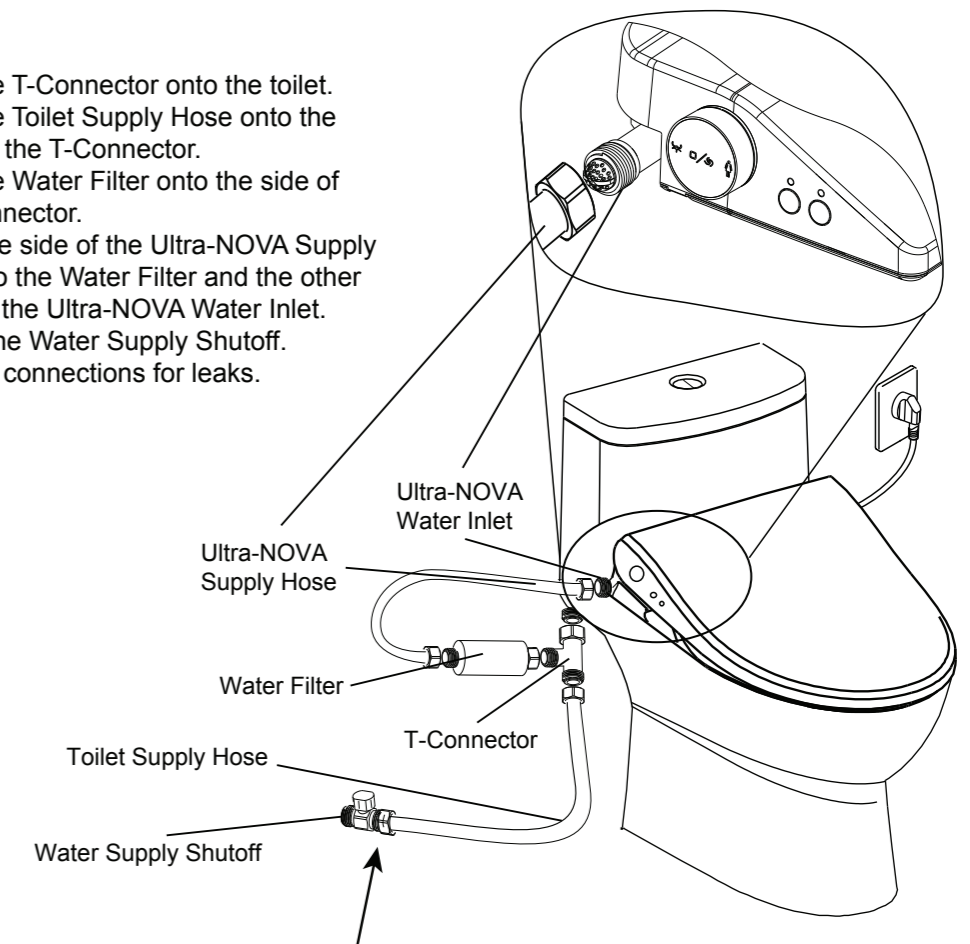
1. Place the Automatic Flushing Module into the top of the fittings as shown below.
2. Make sure the Push Rod is aligned with the Flush Button. If the Push Rod cannot press the Flush Button, insert the Adjusting Block into the Push Rod.
3. Tighten the Clamp Collar until secure.
4. Connect the Power Cord to the Waterproof Plug of the Automatic Flushing Module. (Note that the two terminals on the plug must be connected on the same side.)
5. Use a Cable Tie to fix the Power Cord to the Clamp Collar Holder and run the Power Cord out of the back of the toilet tank. (If there is a groove in the top of the toilet tank, pass the Power Cord through the groove.)
6. Turn on the water source, connect the power supply, and test the manual and automatic flushing functions.
7. Replace the toilet tank cover.



✦ Installation

4. Connect All Water Supply Parts

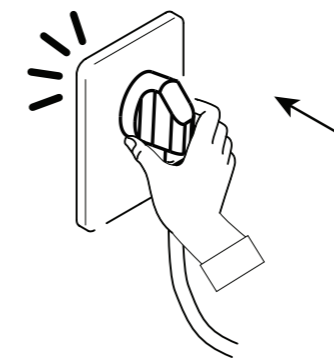
- A. Screw the T-Connector onto the toilet.
- B. Screw the Toilet Supply Hose onto the bottom of the T-Connector.
- C. Screw the Water Filter onto the side of the T-Connector.
- D. Screw one side of the Ultra-NOVA Supply Hose onto the Water Filter and the other side onto the Ultra-NOVA Water Inlet.
- E. Turn on the Water Supply Shutoff.
- F. Check all connections for leaks.



An alternate T-Connector can be purchased and used at the Water Supply Shutoff if the underside of the toilet is inaccessible.

5. Connect Power

Plug the unit into a GFCI wall outlet.



⚠ Caution

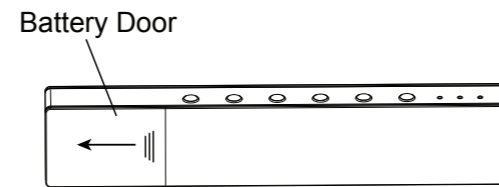
- Outlet must have a GFCI (ground-fault circuit interrupter).
- Outlet must be on a 15+ amp dedicated circuit.
- Cord length is limited to 4 feet by law.
- If an extension cord is used, it must be 14 gauge or larger.

✦ Installation

6. Mount the Remote Control

A. Install Batteries

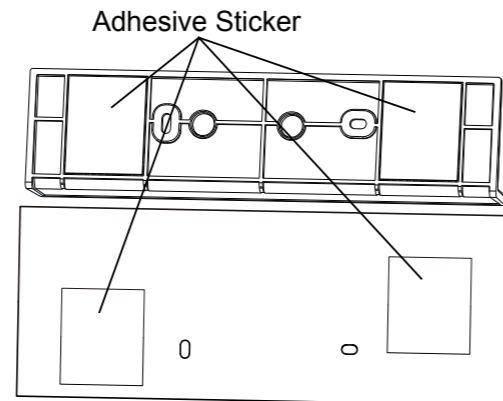
- I. Remove the Battery Door from the back of the remote by pressing on the door and sliding it away from the remote.
- II. Insert 2 AAA batteries and close the Battery Door.



B. Secure the Wall Mount

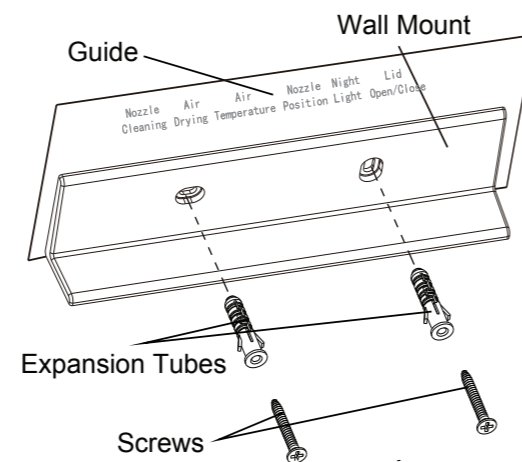
Sticker Installation Method

- I. Remove the Adhesive Sticker on the back of the Wall Mount (and Guide if desired).
- II. Adhere the Wall Mount (and Guide) to the wall in the desired position.



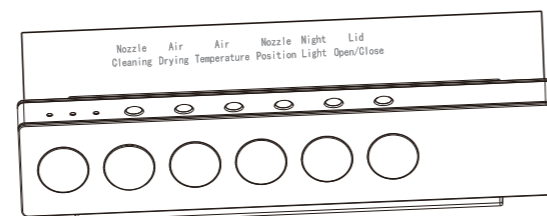
Screw Installation Method

- I. Place the Wall Mount on the wall in the desired location. Mark the locations of the screws on the wall through the holes on the Wall Mount.
- II. Remove the Wall Mount and drill holes in the marked locations.
- III. Insert the Expansion Tubes into the wall.
- IV. Place the Wall Mount (and Guide if desired) on the wall and thread the Screws into the Expansion Tubes through the holes on the Wall Mount.



C. Place the Remote in the Wall Mount

Use of the Guide is optional, but many people find it helpful to easily identify the features on the top of the remote while seated.

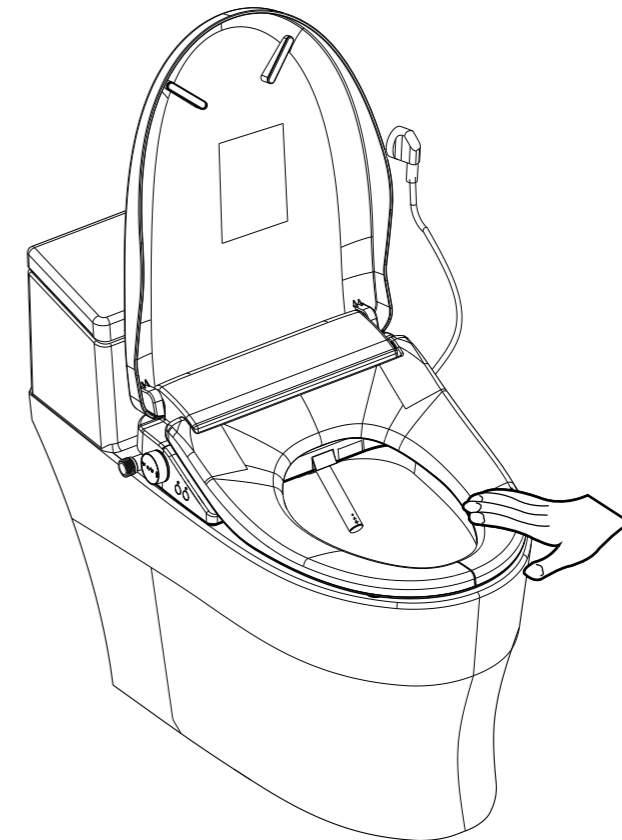


✦ Testing Before Use

1. Ensure that the power supply is securely connected to the wall outlet.
2. Activate the Skin Sensor on the seat by placing a hand or wet rag on the seat where indicated. (If a hand or wet rag doesn't work, place your bare bottom on the seat.)
3. Press a wash button on the remote. Place a hand or cup over the nozzle as it comes out and wait until the wash begins.
4. Press Stop or remove the hand or rag from the Skin Sensor.

Congratulations!

Your Ultra-NOVA is ready for use.



✦ Operation

Function	Description
Stop	Press the Stop button to end the Rear Wash, Front Wash, Enema Wash, and Air Dry functions. Long-press for 2 seconds to turn the beeping sound on or off.
Rear Wash Front Wash Enema Wash	While seated, press the Rear, Front, or Enema button. The corresponding wash function will start and run for 90 seconds. If the user leaves the seat during the wash, the function will stop. Rear and Front washes default to an oscillating wash. Press the button again for fixed-position washing.
Hot/Cold Massage	With a Rear Wash or Front Wash running, press the H/C Massage button to start or stop the massage function. When this function is active, the water temperature alternates between 90°F and 100°F.
Water Temperature	Press the Water Temp button to increase the water temperature in the Rear Wash, Front Wash, and Enema Wash modes. The Water Temp has Low, Medium, High, and Off temperature settings.
Seat Temperature	Press the Seat Temp button to change the temperature of the seat. Seat Temp has Low, Medium, High, and Off temperature settings.
Water Pressure	Use the + and - buttons during a wash cycle to increase and decrease the water pressure.
Nozzle Position	Press the Nozzle Position button to move the nozzle forward in the Rear Wash, Front Wash, and Enema Wash modes. The nozzle has 3 positions as indicated by the LED lights. Each time you press the Nozzle Position button, the nozzle moves forward one position until reaching position 3. The nozzle then moves back toward position 1 with each subsequent press.
User Presets	To set user presets, start a function and adjust the settings to your desired level. Press the User 1 or User 2 button for 2 seconds to save the current water temperature, air temperature, seat temperature, nozzle position, and water pressure. To use a user preset, press the desired function (Rear, Front, Enema, or Dry), then press the User 1 or User 2 button to use the saved setting.
Warm Air Dryer	While sitting on the seat, press the Dry button. The warm air dryer will run for 3 minutes. If the Stop button is pressed or the user leaves the seat before the 3 minutes are up, the function will stop.
Air Temperature	Press the Air Temp button to change the temperature of the warm air dryer. The Air Temperature has Low, Medium, High, and Off temperature settings.
Flush*	Press the Flush button to flush the toilet. The Flush function requires 30 seconds between flushes. (Ultra-NOVA+ only)
Auto-Flush*	After vacating the toilet seat (deactivating the Seat Sensor), the unit will wait a few seconds and flush the toilet automatically. (Ultra-NOVA+ only)
Nozzle Cleaning	Press the Nozzle Cleaning button. (On the Ultra-NOVA+ remote, long-press the Nozzle Position button.) The nozzle will come out and water will run over the nozzle for 10 seconds. The nozzle will stay out for cleaning. Press the Stop button to retract the nozzle into the seat.
Night Light Radar Range	Short press the Night Light button to turn the decorative night lights on or off. The night lights illuminate the Control Dial and the interior of the toilet bowl. Long press for first distance 12 inches. Long press again for second distance 20 inches and long press again for third distance 32 inches.
Lid Open/Close	Press the Lid Open/Close button to open the toilet lid. Press the button again to close the lid. Press the button for 3 seconds to turn the Auto-Open/Close feature on or off.

*Only available on the Ultra-NOVA+

✦ Operation

Function	Description
Remote Pairing	With the seat unplugged from the electrical outlet, press and hold the Front button for 3 seconds. At this time the 3 LED indicators on the remote will flash red. When this happens, plug the seat into the electrical outlet. If pairing is successful, the seat will make a multi-beep sound. If the remote does not sync, restart the pairing process.
Nozzle Oscillation	The nozzle will oscillate (move forward and back) by default with Rear and Front Washes. Pressing the Rear or Front button a second time will stop the oscillation (i.e., keep the nozzle stationary).
Lid Slow Close	The lid has a damper that makes it close softly, whether using the Auto-Open/Close feature or manually closing the lid. The seat also has a slow-close damper for a soft, quiet close.
Seat Status Indication	The night light on the Control Dial will glow white when no one is seated. It will glow red during a Rear Wash and blue during a Front Wash. If a malfunction is detected, the light will flash red.
Anti-Scald System	If a user is seated for more than 15 minutes, the seat will turn the heat to the Low setting in order to reduce prolonged heat exposure.
Nozzle Self-Cleaning	Before and after each use, the nozzle will run a self-cleaning cycle. This self-cleaning cycle runs water over the nozzle to remove debris.

Side Controls

Control Dial

Turn the dial backward to start a Rear Wash.

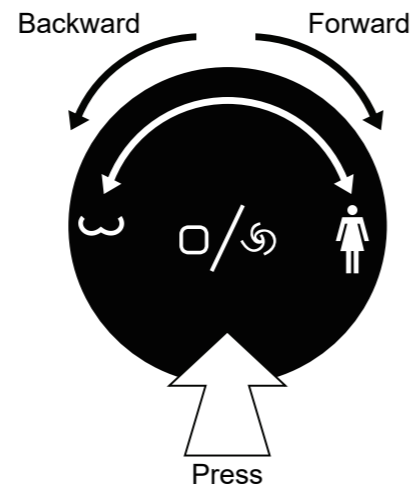
Turn the dial forward to start a Front Wash.

Long-press the dial for 2 seconds to start an Enema Wash.

Once a wash has started, turn the dial forward to increase the water pressure and backward to reduce the water pressure.

Press in on the dial to stop the wash.

Once the wash is stopped, press the dial again to start the Air Dry function.



Water Temperature Button

Short-press the button to adjust the water temperature.

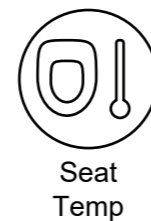
Long-press the button during a wash to switch the nozzle from oscillation to stationary and back.



Seat Temperature Button

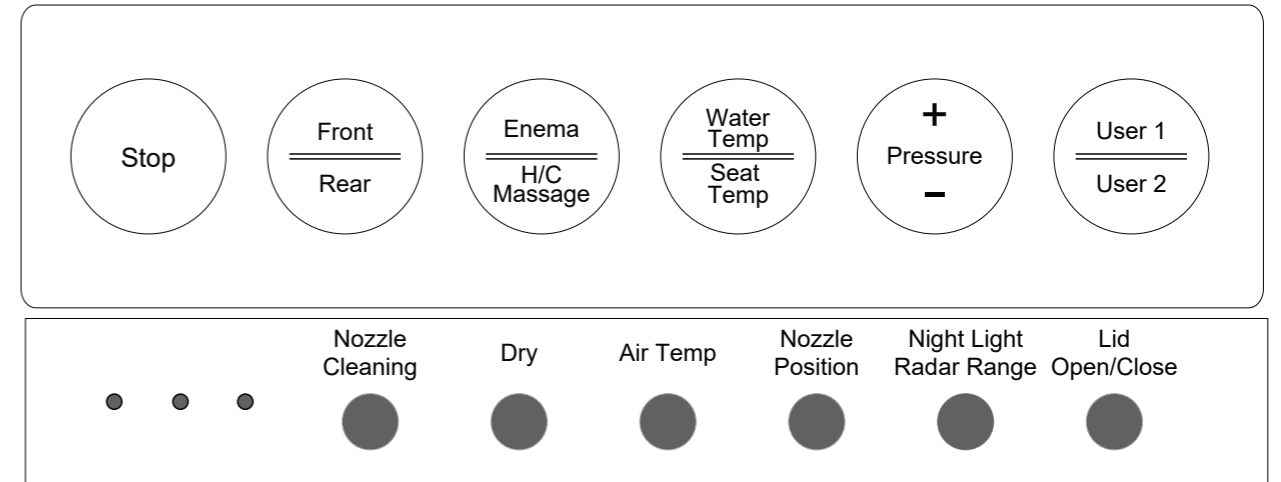
Short-press the button to adjust the seat temperature.

Long-press the button during a wash to change the nozzle position. (Positions move in a cycle: 1, 2, 3, 2, 1, 2, 3...)

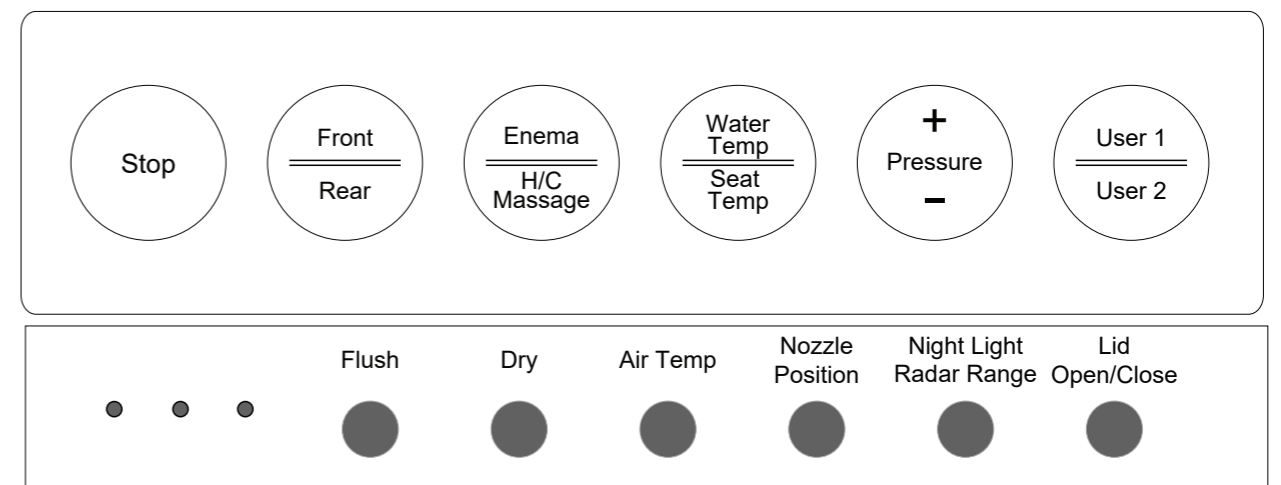


Remote Control Button Layout

Ultra-NOVA Remote Control



Ultra-NOVA+ Remote Control

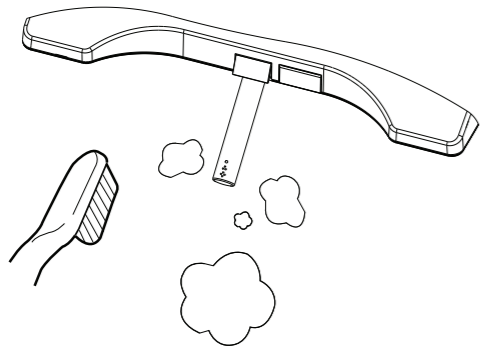


★ Cleaning

Nozzle Cleaning

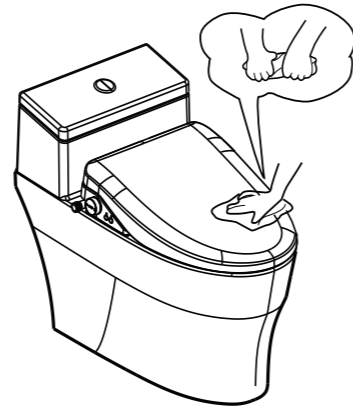
Press the Nozzle Cleaning button on the remote and the nozzle will automatically come out. (On the Ultra-NOVA+ remote, long-press the Nozzle Position button.) Use cleaner and a soft cloth or soft-bristled brush to clean the nozzle.

When done cleaning, press the Stop button and the nozzle will retract into the seat.



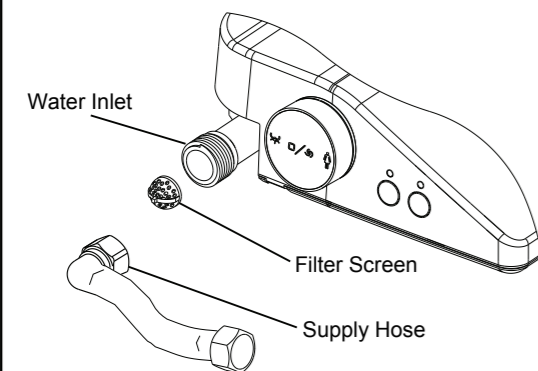
External Cleaning

Clean the product with a soft cloth and natural cleaners. Do not use strong chemicals on the seat as they can damage the antibacterial coating.



Cleaning the Filter Screen

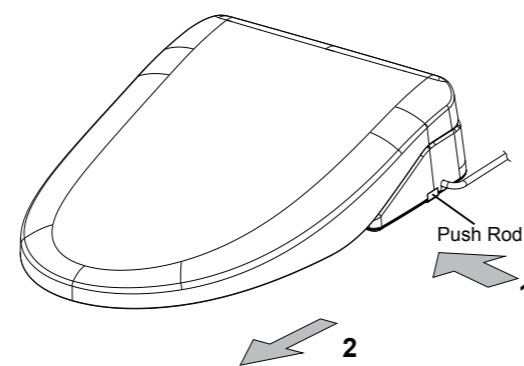
If you notice that the seat's overall water flow has decreased, clean the Filter Screen. To clean the Filter Screen, turn off the water supply, flush the toilet, and disconnect the Supply Hose from the side of the seat. Remove the Filter Screen from the Water Inlet and scrub it with a soft-bristled brush. After cleaning, reassemble the unit and turn on the water supply.



Removing the Seat for Cleaning

If you need to access the underside of the seat for cleaning, first turn off the water and power. Then, push the release button on the right side (while facing the toilet) and pull the seat forward.

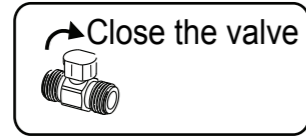
The seat can be reinstalled by sliding it back into the mounting plate until it clicks into place.



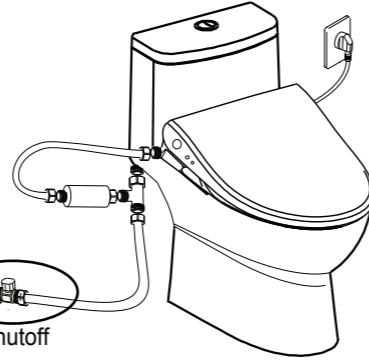
✦ Troubleshooting

⚠ CAUTION

If the seat and/or connections are leaking, immediately shut off the water supply and unplug the unit!



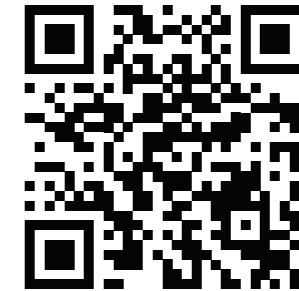
Water Supply Shutoff



Problem	Test	Solution
Seat not responding	Are the lights on the seat turned off?	Check the wall outlet for power and plug the seat into the wall outlet.
No water	Check water supply shutoff valve.	Open the valve if it is closed.
	Is the supply hose kinked?	Adjust the hose to unkink it.
	Are you covering the seat sensor with skin to activate it?	Move your body to fully cover the skin sensor.
Water pressure low	Is the water pressure set to low?	Press the Pressure + button on the remote.
	Check the water filter.	Replace the water filter every 6 months.
Water temperature low	Is the water temperature set to low?	Press the Water Temp button to adjust.
Seat temperature low	Is the seat temperature set to low?	Press the Seat Temp button to adjust.
Air temperature low	Is the air temperature set to low?	Press the Air Temp button to adjust.
Wash stops running	Has it run for more than 90 seconds?	Not a malfunction. The cycle runs for 90 sec.
	Has it run for less than 90 seconds?	Move your body to fully cover the skin sensor.
Dry stops running	Has it run for more than 3 minutes?	Not a malfunction. The cycle runs for 3 min.
	Has it run for less than 3 minutes?	Move your body to fully cover the skin sensor.
Remote control not responding	Are the batteries working?	Install fresh batteries.
	Is the remote connected to the seat?	Re-pair the remote and seat (see page 14).
Water connection leaking	Is the connection loose?	Tighten the connection.
	Is the connection missing a rubber washer?	Replace the rubber washer.
Flashing red light	Flashes red once: seat temp sensor alert	Sensor open or short circuit. Seat will beep and stop heating.
	Flashes red twice: air temp sensor alert	Sensor open or short circuit. Seat will beep and stop heating.
	Flashes red three times: Water temp sensor alert	Water temperature is above 113°F. Returns to normal after 3 beeps.

✦ Warranty

For additional troubleshooting or to view the warranty for this product, scan this QR code or visit <https://novabidet.com/warranty/>.



✦ Technical Specifications

Technical Parameters \ Model	Ultra-NOVA	Ultra-NOVA+
Power Type	AC 120V~ 60Hz	
Rated Power	Max 1220W = 10.1 amps (with inlet water temperature of 60°F and water temperature set to maximum)	
Power Cord Length	4 feet	
Water Heating Type	Instant	
Water Temperature	Temperature adjustment range approximately 86°F to 102°F	
Safety Devices	Flow monitoring sensor, water temperature sensor, temperature control switch, temperature fuse	
Air Temperature	Adjustable temperature range (ambient temperature to 131°F)	
Drying Heating Power	200W	
Seat Surface Temperature	Adjustable temperature range (ambient temperature to 104°F)	
Seat Heating Power	40W	
Water Supply Pressure	22psi to 105psi	
Environment Temperature	38°F to 104°F	
Product Size	L505xW375xH93mm 19.9" L x 14.75" W x 3.66" H	
Product Net Weight	4.2kg 9.25lbs	4.4kg 11lbs

This device complies with Part 15 of the FCC rules.